

Russell Taylors

E-WARRANTY



SCAN HERE

www.russelltaylors.co.uk

USER MANUAL COFFEE GRINDER CG5

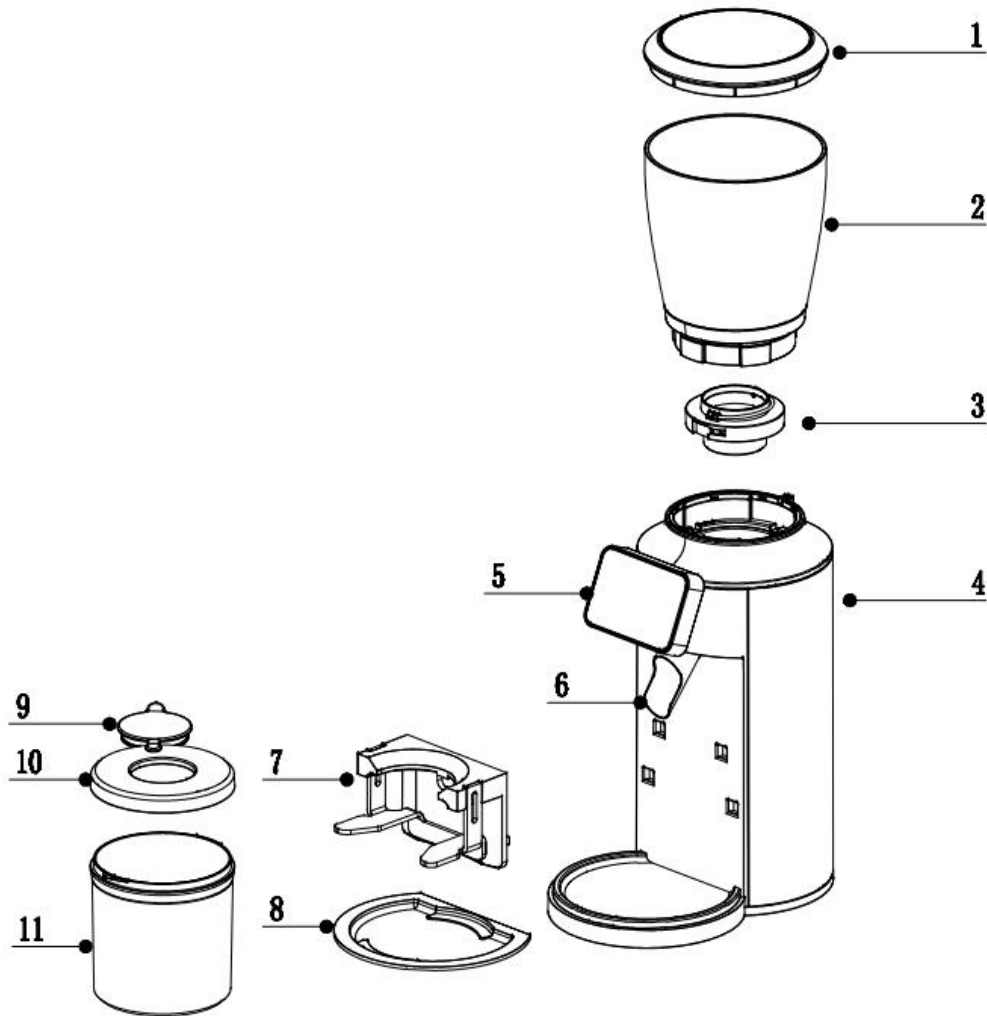


Read all instructions before use:

- To prevent fire, electric shock and personal injury, do not immerse the wire, plug or body in water or other liquids.
- This appliance is not intended for use by persons including children with reduced physical, sensory or mental capabilities, or lack of experience and knowledge, unless they have been given supervision or instruction concerning the use of the appliance by a person responsible for their safety. Children should be supervised not to play with the appliance.
- When not in use, before installing removable parts and cleaning the machine, the plug must be removed from the socket.
- If the power cord or plug is damaged, or the equipment fails, do not operate the product. Send the equipment back to the approved service center for inspection and maintenance.
- Use of parts not approved by the original manufacturer may cause fire, electric shock or injury.
- Do not use it outdoors or in moving vehicles, ships or aircraft; Do not use this product on an inclined surface.
- Do not let the power cord hang on the edge of the table or cabinet, or touch any surface with heat source, or let the power cord knot.

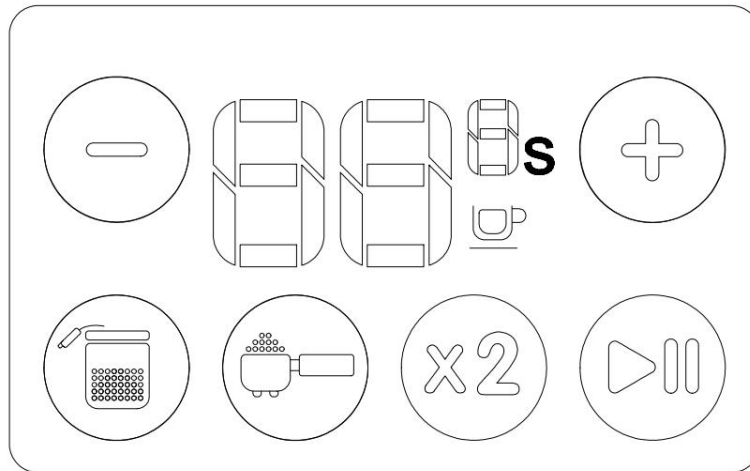
- Check the coffee cup for foreign matters before use.
- Be sure to operate the product with the bean cup cover covered.
- Do not place the machine on or near a gas fired or electric heater or in a heated oven.
- This product is designed for home use only. Any commercial use. Improper use or failure to follow the instructions will invalidate the warranty.
- This product is only used for roasted coffee beans. Do not use the equipment for other purposes (such as hard seeds, Chinese herbal medicine, nuts, etc.) to avoid damage to the machine.
- All machines are strictly tested before leaving the factory, and the actual grinding test is carried out with coffee beans, which may lead to slight use marks or coffee residues.
- If the power cord is damaged, in order to avoid danger, it must be made by the manufacturer. Replacement of professionals in its maintenance department or similar departments.

Products and Accessories















1	Bean Box Lid	4	Main Body	7	Powder Feeder Frame	10	Coffee Powder Box Cover
2	Bean Box	5	Control Panel	8	Slag Receiving Tray	11	Coffee Powder Box
3	Conical Grinder	6	Power Outlet	9	Sealing Cover		

Control Panel



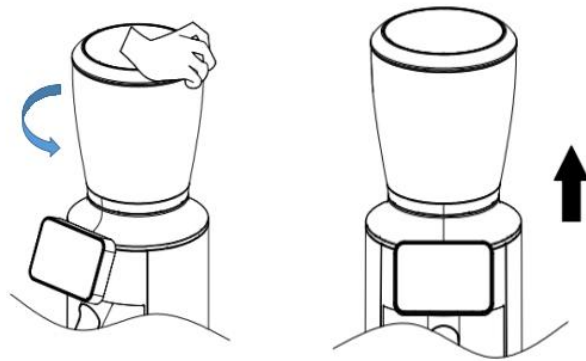
Control Panel Description

1. Plug in the power supply. When the product is in standby mode, all the buttons on the display screen will flash. The default value of the display screen is "888". When on standby mode, " "The key flashes and 2 cups are displayed by default, while the other keys remain on, press " "Key to start/stop the function.
2. Press the " " Key and then select the "+/-" key to customize the mode, and then press the " " key to start working.
3. Press the " " key and the default display is 10 seconds, press the " " key to start working.

4. Press the " " key and select the "+/-" button to go into customization mode. Pressing the "+/-" button each time to increase by 0.5 seconds, **15** seconds for cycle selection, and then press the " " key to start working.
5. Press the " " key and the default display is **18** seconds, press the " " key to start working.
6. Press the " " key and select the "+/-" button to enter customization mode. Press the "+/-" button each time to increase by 0.5 seconds, **28 second cycle selection**, and then press the " " key to start working.
7. If there is no action in 15 minutes. The machine goes into standby mode. The start/pause button blinks in standby mode.

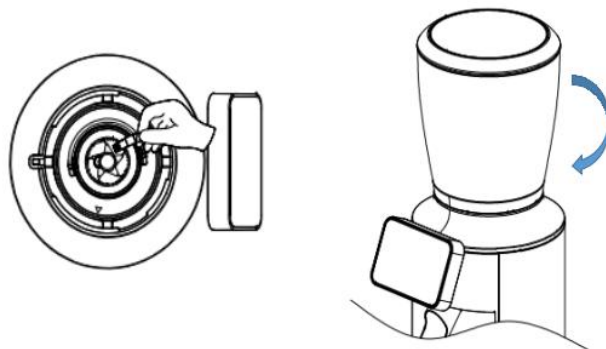
How To Remove the Coffee Bean Box

1. Make sure the coffee bean machine is unplugged.
2. Hold the machine body with your hand, rotate the bean box anticlockwise, turn the arrow mark of the bean box to align with the large body scale, and lift the bean box upwards.



Installation Of Coffee Bean Box

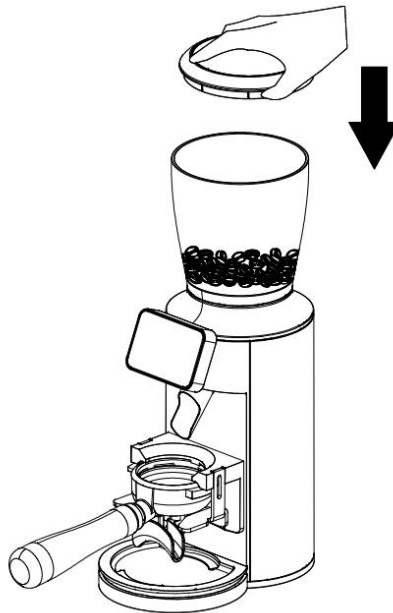
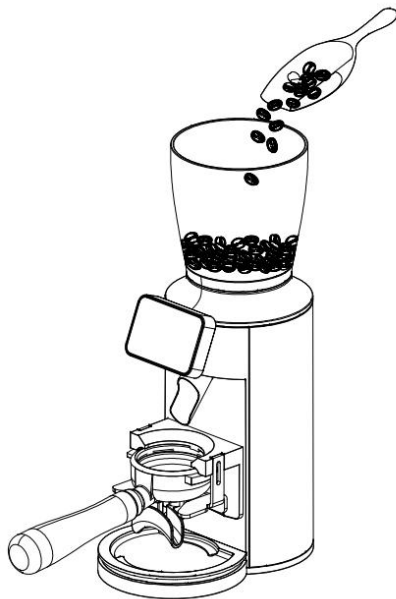
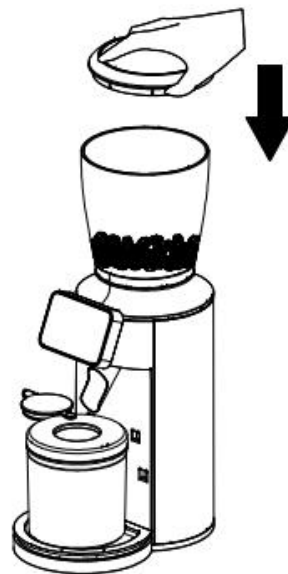
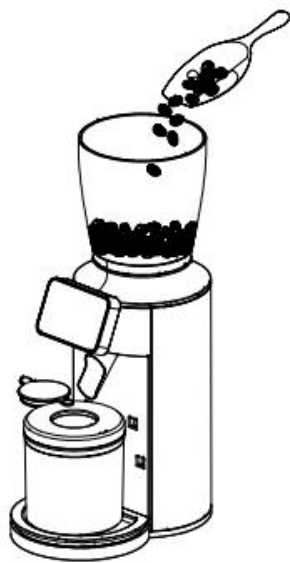
1. Make sure that there is no coffee residue on the top of the conical grinder. If there is any residue, use the brush provided to clean it.
2. Align the arrow mark of the bean box with the body and put it down into the machine body, and then rotate clockwise to install it.



Note: If the coffee cup is not installed, the grinder cannot be started.

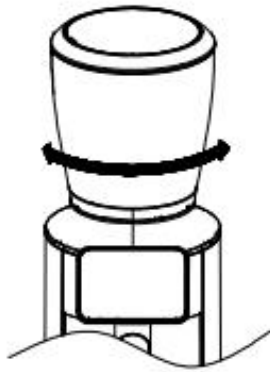
Adjustment Of Coffee Powder Thickness

1. Put the coffee powder cup or powder receiver in place.
2. Open the lid of the coffee bean box, add a proper amount of coffee beans (the maximum capacity of the coffee beans is 350g) into it, and cover the lid. Now you can adjust the thickness of the coffee.



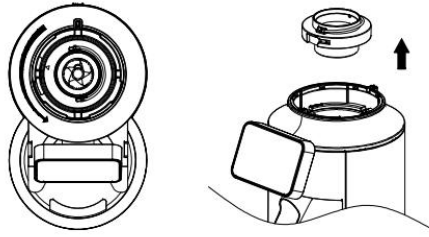
3. The grinder has several gears for adjusting the thickness.

Rotate the coffee box to adjust according to the type of coffee you are brewing.

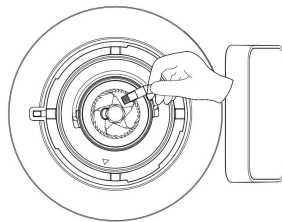


Cleaning And Maintenance

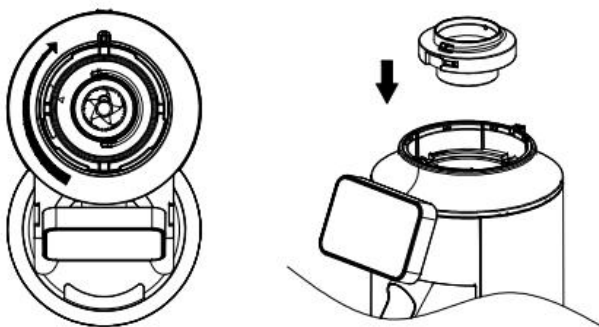
1. Clean the conical grinder regularly, which can not only keep the beans hygienic, but also extend the service life of the product.
2. In order to maintain the aroma of coffee and avoid deterioration of ground coffee, empty the ground coffee container after each use.
3. Be sure to unplug the power socket before cleaning;
4. Never insert the grinder, power cord or plug into the water;
5. Do not use strong cleaners or abrasive pads to clean the product.
6. To disassemble the conical grinder, hold the handle and turn the triangle symbol counterclockwise to the "open" position, then lift it vertically and clean grinder with a cleaning brush.



7. Clean the remaining coffee powder in the grinder and grinding chamber with a cleaning brush, and then pour out the remaining powder residue in the grinding chamber.



8. After cleaning, put the grinder into the lower grinding chamber, align the triangle symbol with "ON", turn the handle clockwise until a "click" sound is heard, and align the triangle symbol with "OFF" to complete the installation;



Note: In order to install the upper grinding wheel in place, the coffee residue in the lower grinding wheel must be removed before installation.