

Russell Taylors

E-WARRANTY



SCAN HERE

www.russelltaylors.co.uk

Cordless Vacuum Cleaner

USER MANUAL



VC-22

RT

IMPORTANT

Before using, make sure to read all the below instructions in order to avoid injury or damage, and to get the best results from the appliance. Make sure to keep this manual in a safe place. If you give or transfer this appliance to someone else, make sure to also include this manual.

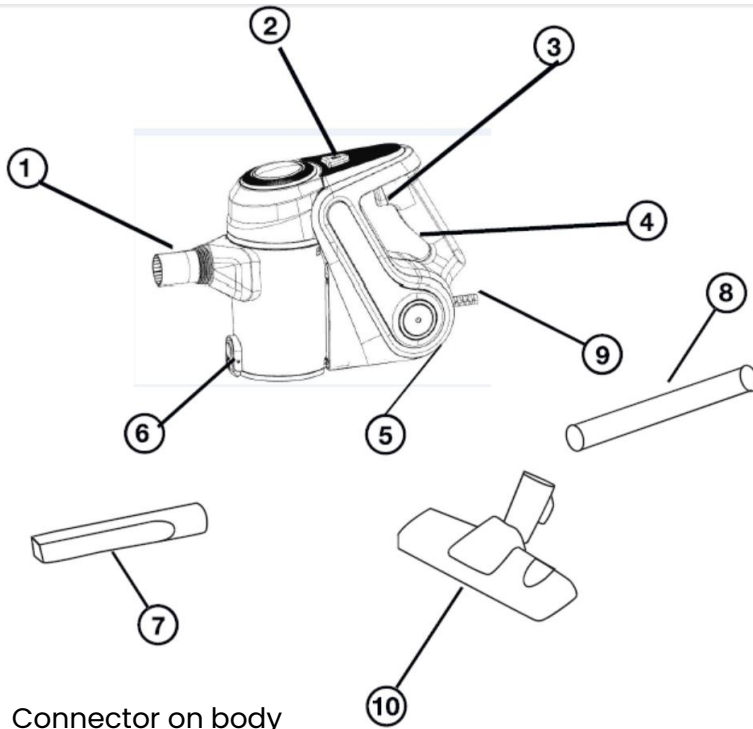
In case of damage caused by user failing to follow the instructions in this manual, the warranty will be void. The manufacturer/importer accepts no liability for damages caused by failure to follow the manual, a negligent use or use not in accordance with the requirements of this manual.

- Check that the voltage of the main circuit corresponds with the rating of the appliance before operating.
- Do not immerse cords, plugs or any part of the appliance in water or any other liquid.
- Do not leave the appliance unattended while it is operating.
- Children should not be play with the appliance.
- Cleaning and user maintenance should not be undertaken by children without supervision.
- Switch off at the wall socket then remove the plug from the socket when not in use or before cleaning

- If the supply cord or appliance is damaged, stop using the appliance immediately and seek advice from the manufacturer.
- Do not let the cord hang over the edge of a table or counter or let it meet any hot surfaces.
- The use of accessory attachments other than those supplied is not permitted.
- Do not pull the plug out by the cord as may damage the plug and/or the cable.
- Do not use this product for anything other than its intended use.
- This appliance is for household use only.
- Do not carry the appliance by the power cord.
- Do not use any extension cord with this appliance.
- Keep hair, loose clothing, fingers, feet, and all parts of body away from moving parts.
- Do not close doors on the cord or move the vacuum by pulling the cord around sharp edges or corners.
- Turn all controls off before unplugging from mains.
- Do not vacuum liquids, or sharp objects like nails or drawing pins.

In the unlikely event the appliance develops a fault, stop using it immediately and seek advice from the service department.

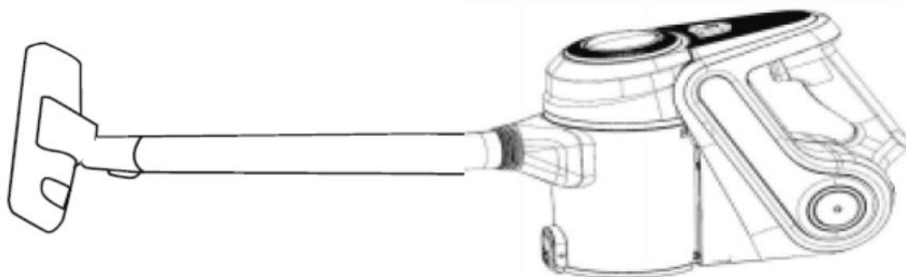
GENERAL DESCRIPTION



1. Connector on body
2. Button to release the dust tank
3. On/off switch
4. Handle
5. Filter inside
6. Opening release for dust tank
7. Crevice nozzle
8. Telescopic aluminum tube
9. Charging Port
10. Floor Brush

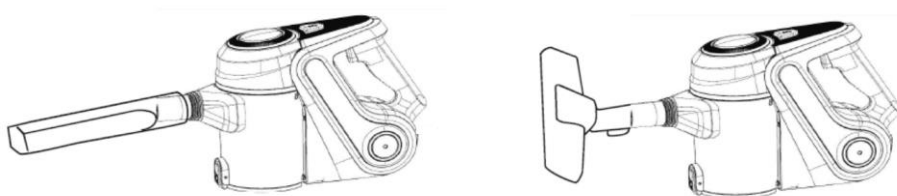
OPERATION

1. Insert the telescopic aluminum tube into the suction hole opening; make sure it fits firmly.



2. Connect the nozzle onto the connection tube.

When connecting the floor brush, please connect the extension tube first. The floor brush has two positions, one for hard and one for soft/textile surfaces - Choose the right one.



Press the on/off button to turn on the appliance. Press it again to turn the appliance off.

Note: During use, please pay attention to the dust capacity and do not exceed the "MAX" level indicated on the dust cup. This appliance is for dry suction only.

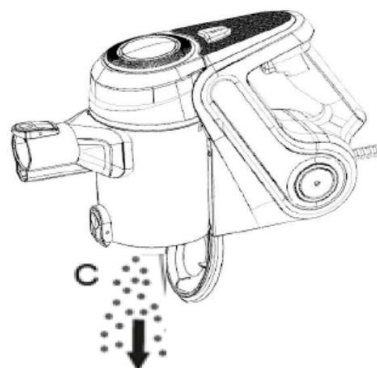
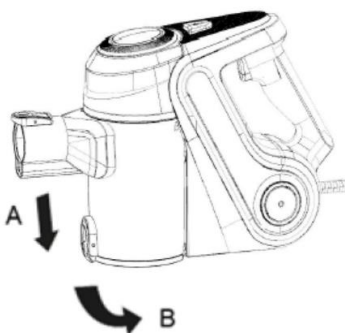
Caution: The suction hole opening must be always open and free of any obstructions. Otherwise, the motor will overheat and could be damaged.

CLEANING & MAINTENANCE

1. Except for the main unit, other parts can be cleaned in warm soapy water. Rinse and dry them completely before reassembly. Do not immerse the main unit in water or any other liquids.
2. Use only a soft moist cloth to clean the outside of the unit. Do not allow any kind of liquid to enter the unit.
3. Do not use aggressive chemicals or abrasives.
4. Do not use the device if the filter is broken or worn out.
5. The unit does not contain parts serviceable by you, do not disassemble it and do not try to repair it yourself.

In order to achieve the best performance, empty the dust cup and clean the dust cup filter after each use

1. Press the (6) Opening release to empty dust from the container



CLEANING AND MAINTENANCE - Cleaning or replacing the filter

For best results clean the filter after every second or third use of the vacuum cleaner, or more frequently if the filter is visibly blocked.

Clean the filter regularly to avoid the filter from getting clogged and the engine overheating.

1. Do not clean or replace the filter during charging. Always remove the adapter from the wall socket first.
2. Remove the tube from the vacuum cleaner.
3. Remove the waste from the dust container
4. Remove the dust container from the vacuum cleaner by pressing the release button (see figure 7A) and taking out the dust container (figure 7B).
5. Turn the upper lid and remove it from the dust container (figure 7C).
6. Take the dust separation system and filter from the dust separation system (figure 7D).
7. Rinse the filter and the dust separation system thoroughly in lukewarm water.
8. Allow the filter to dry thoroughly.

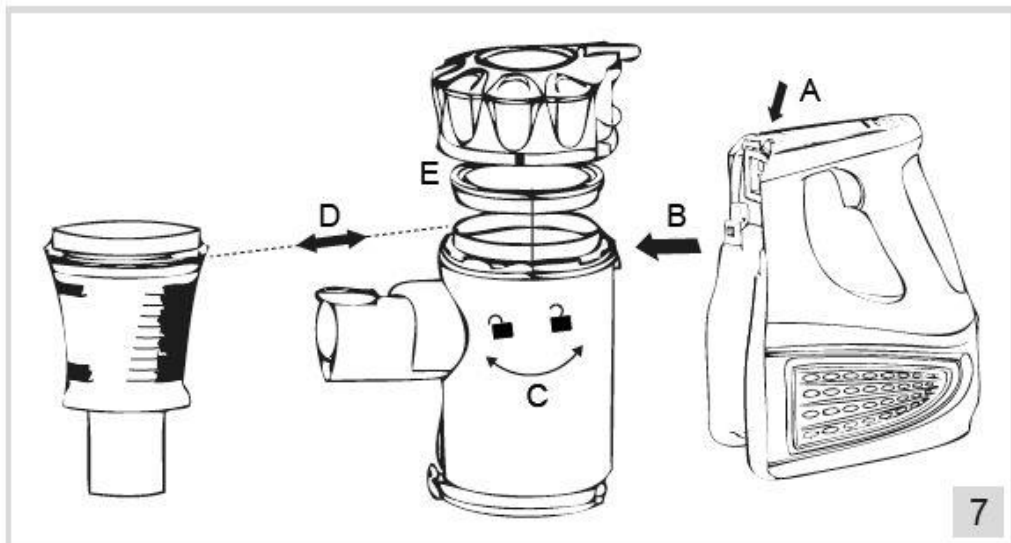
9. Mount the holders and filters in the reverse sequence.

- Water could penetrate the appliance if the filter is not thoroughly dry.

This could result in (electrical) damage.

- Do not clean the filter in a washing machine.

- Do not dry the filter with a hairdryer.



TROUBLESHOOTING

TROUBLESHOOTING GUIDE		
PROBLEM	POSSIBLE REASON	POSSIBLE SOLUTION
VACUUM WILL NOT OPERATE	1. No power in electrical outlet.	1. Check fuse or breaker. Replace fuse/reset breaker.
VACUUM WILL NOT PICK-UP OR SUCTION POWER IS WEAK	1. Dust cup container is full. 2. Dust cup filter needs cleaning or replacement.	1. Empty dust cup container. 2. Remove dust cup filter and check for object(s) in air duct and remove. Clean or replace dust cup filter. 3. Charge unit.
DUST ESCAPING FROM VACUUM	1. Dust cup container is full. 2. Dust cup filter is not installed correctly. 3. Puncture/hole is dust.	1. Empty dust cup container. 2. Review dust cup filter installation instructions.

BATTERY MAINTENANCE

How to pro-long your battery lifespan?

Battery maintenance is well recognized as an important part of running an efficient and safe vacuum cleaner. However, the appropriate procedure for the battery maintenance is often overlooked. Performing maintenance in the correct order is just as essential as the maintenance steps themselves when it comes to saving time, extending the lifespan of your battery, and protecting your equipment.

Follow the correct maintenance order for your batteries:

1) Charge battery once it is down to 20% capacity.

Do not allow battery to drop below 20% power before charging. Discharging the battery's banks too far will harm the battery, permanently impacting the performance and endurance of the battery. It may also overheat, damaging electric circuits to the forklift.

Allow battery to charge to full power uninterrupted. A battery's lifespan is often proportional to the number of charges it receives. Undercharging, charging for a short periods of time multiple times a day (this includes quick charging during a lunch break) or charging before the battery has discharged more than 50% of its power can all lead to decreased performance rate and a shortened battery life.

2) Turn power off and allow battery to cool before removing.

Do not turn power off until after battery has reached 100% power. The battery will run more efficiently throughout the day if it has reached full power.

This practice will also decrease the number of times the battery

need to be charged, thus increasing the battery's lifespan. The battery must cool before being placed back into service or it may overheat, potentially damaging both the battery and electrical circuits.

WARRANTY CLAIMS

This product is covered by a 2-year warranty against manufacturing defects. For all warranty claims, please email support@russelltaylors.com and include a copy of invoice or order ID number as proof of purchase. You are entitled to one (1) warranty claim during the warranty period.

Russell Taylors

www.russelltaylors.co.uk

