

Russell Taylors

E-WARRANTY

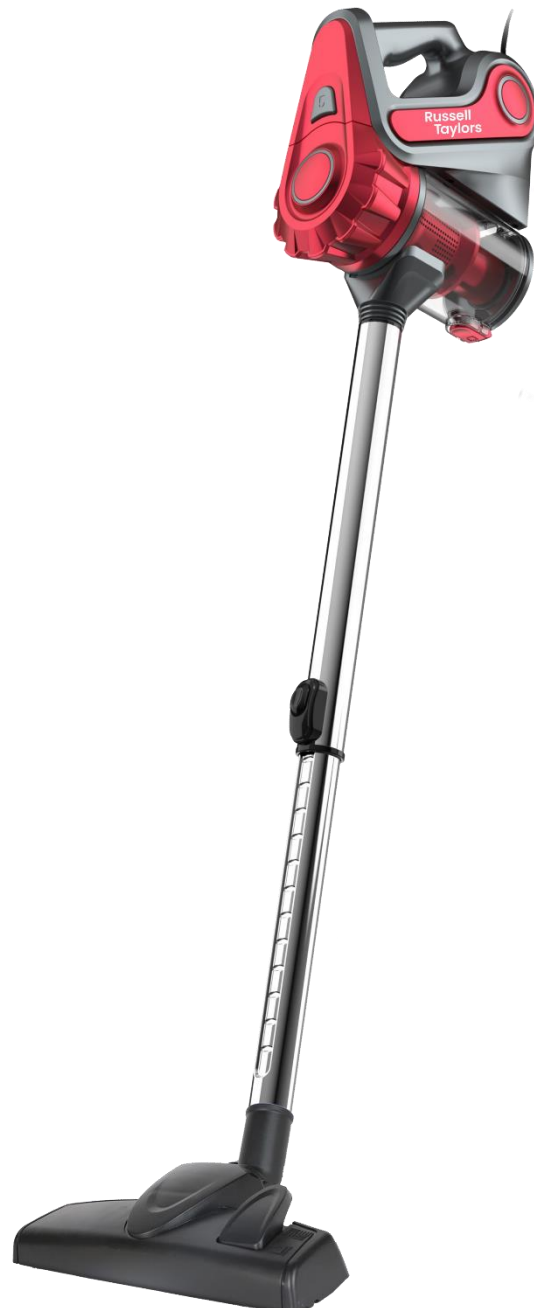


SCAN HERE

www.russelltaylors.co.uk

Vacuum Cleaner

USER MANUAL



VC-20

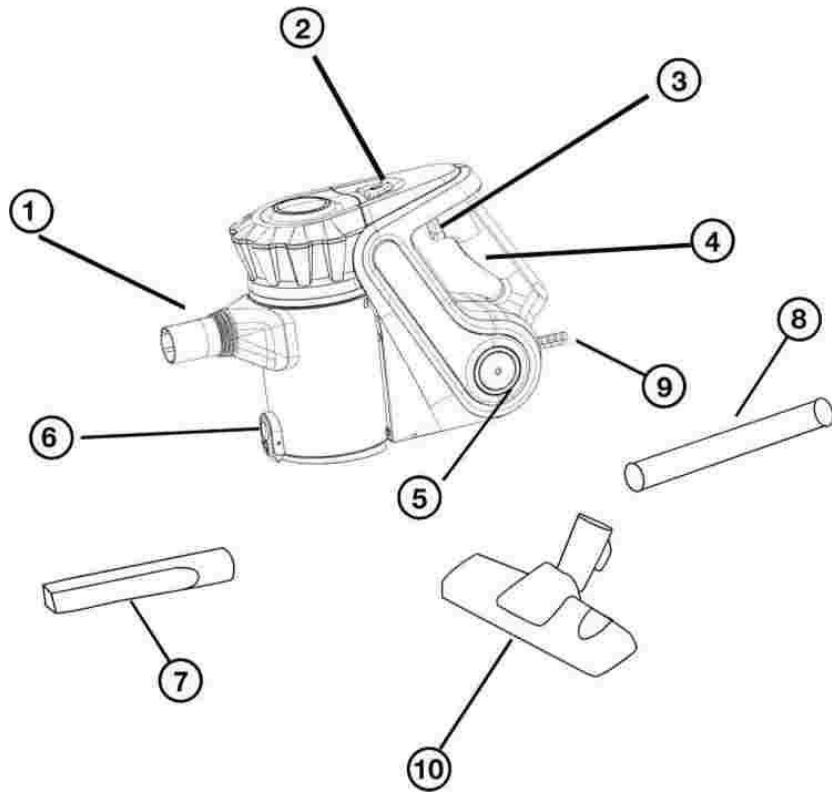
IMPORTANT SAFEGUARDS

1. To unplug the appliance from the main power, do not pull on the cable itself, use the plug.
2. Never use the appliance outside.
3. This appliance has been designed solely for domestic use.
4. For safety reasons, never leave the appliance unattended whilst it is in operation.
5. The appliance must be used on a flat surface.
6. If the power supply cable is damaged, it must be replaced by the manufacturer, their technical support service, or another person who is qualified to do so. In this way, unnecessary risks can be avoided.
7. Do not vacuum any large, sharp, or broken objects, such as pieces of glass.
8. Do not vacuum hazardous or abrasive liquids (solvents, corrosive products, detergents, etc.).
9. Do not vacuum flammable or explosive substances, such as gasoline or alcohol.
10. Children above the age of eight can use this appliance, as can people whose physical, sensory, or cognitive capabilities are reduced, or who lack experience and expertise. As long as they are correctly supervised or instructed concerning the use of the appliance in absolute safety and as long as they understand the risks it entails.
11. Children must not play with the device.
12. The cleaning and maintenance of the appliance that can be carried out by the user must not be carried out by unsupervised children.
13. Never use the appliance without the filter(s) fitted.
14. Never modify the vacuum cleaner in any way.
15. Any repairs that may be necessary must only be carried out by a qualified person. Repairs which are carried out by non-professionals could give rise to hazards.
16. Never handle an electrical appliance with wet hands.
17. Make sure that the electrical voltage stated on the appliance's specifications badge corresponds to the electrical supply in your home and that the current supplied is alternating current (AC).
18. If the plugs in your room are not suited to the plug supplied with this device, contact a qualified electrician so that they can change them.
19. The mains power supply plug must be removed from the socket before cleaning the appliance or carrying out any maintenance tasks.

UNPACKING THE APPLIANCE

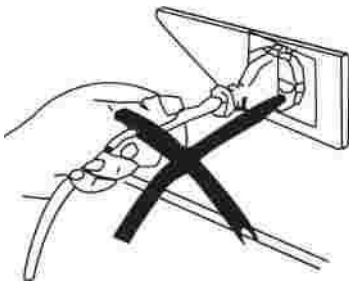
Unpacking the appliance:

1. Connecting tube
2. Button to release the dust tank
3. On/off switch
4. Handle
5. Filter
6. Opening release for dust tank
7. Corner attachment
8. Telescopic aluminum tube
9. Electrical cable
10. Floor brush

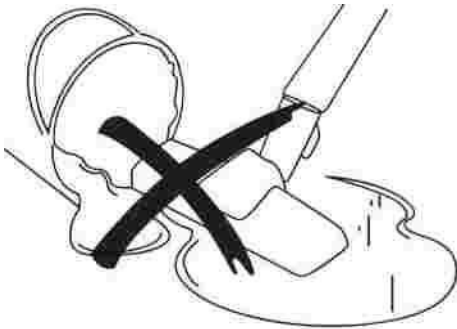


FOLLOW THE FOLLOWING SPECIFICATIONS FOR YOUR OWN SAFETY:

1. After use, do not pull on the cable if you wish to turn the appliance off



2. Do not vacuum water or any other liquid



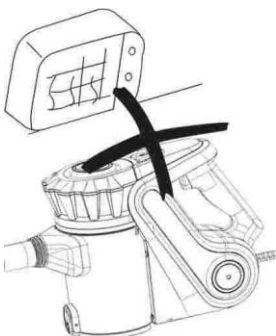
3. Do not vacuum a lit cigarette



4. Do not vacuum pointed objects or heavy items



5. Do not place the appliance near a heat source

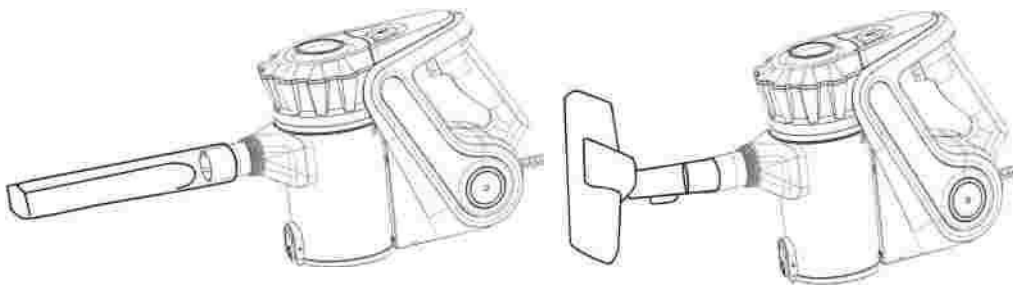


START-UP

Mode 1

Fit any attachment (7, 8, and 9) or the floor brush (10) onto the nozzle of the hand vacuum cleaner. There are three different attachments, according to the use:

1. Attachment to reach into corners (7)
2. Oval attachment to remove dust from fabrics such as curtains or inaccessible places, such as ceilings (8)
3. Attachment with bristles to remove dust from fabrics such as sofas, chairs, rugs, etc. (9)



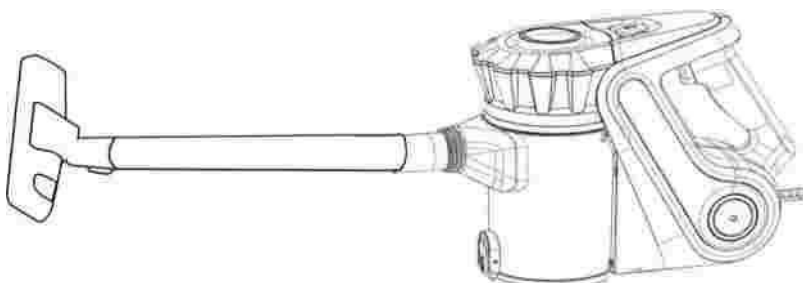
Mode 2

Connect the vacuum cleaner to the telescopic aluminum tube at one end and the floor brush at the other. This attachment is recommended for cleaning the floor, carpet, etc.; for those places which need vacuuming without crouching down or reaching up.

Floor Brush: For cleaning carpets or flat surfaces. The brush is fitted with small rollers which can be adjusted to your convenience to make controlling the attachment easier. There are two positions which can be changed by pushing the tab:

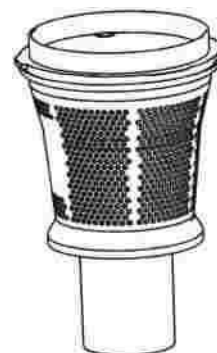
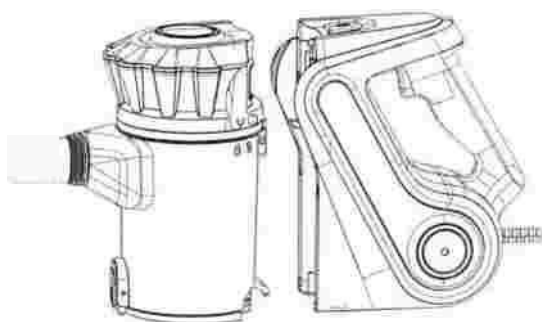
- Floor position - improves gliding over the floor
- Carpet position - the brush employs this mode to improve cleaning with brushing

When you have plugged into the main power supply, press the on/off button to turn the appliance on. When you have finished, press the on/off button again, pull out the plug from the mains power supply, and gather up the cable.

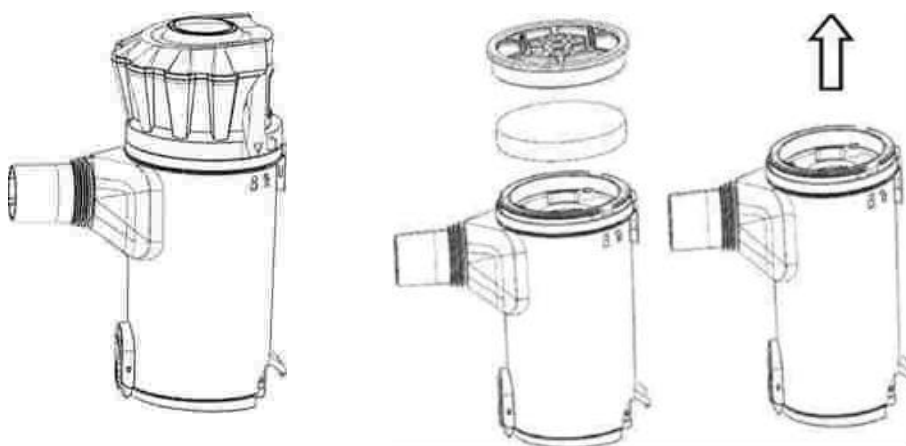


CLEANING AND REPLACEMENT

When you feel the vacuum cleaner beginning to lose power, it could be due to the filter being full, in which case you will need to clean it



Press the opening release for the dust tank (2) and remove the dust tank. Holding both sides of the dust tank, twist anti-clockwise. Remove and clean both filters. If necessary, replace them.



Before carrying out any maintenance that you believe to be necessary, please make sure that the appliance is turned off and disconnected from the mains power supply. Please use a soft and dry cloth to clean the appliance and its accessories.

TROUBLESHOOTING

Problem	Solution
The vacuum cleaner does not work	Check the connection to the main power supply & positioning of the plug to the main power supply.
The vacuum cleaner does not have any suction	<p>The tank or the filters is dirty. Empty the tank and clean the filter according to the instructions in the manual.</p> <p>An attachment may have been installed which does not belong to the vacuum cleaner. Make sure that all the attachments belong to the vacuum cleaner that you are using</p>
The appliance does not work, but it seems that everything is correct after checking it.	Get in touch with the customer support service as soon as possible.

Russell Taylors