

Russell Taylors

E-WARRANTY



SCAN HERE

USER MANUAL

Diamond Kettle

K5

www.russelltaylors.co.uk



IMPORTANT SAFEGUARDS

1. Read all instructions and save them for future reference.
2. For additional protection, we recommend the use of a power outlet with a rated current of 10 amps. To avoid circuit overload, do not operate another high wattage appliance on the same circuit.
3. This appliance is intended for domestic use only; any other use may invalidate the warranty and might be dangerous.
4. Do not use this appliance for any purpose other than its intended use. Do not use outdoor.
5. Check that the voltage marked on the appliance rating plate matches your local supply.
6. Do not touch hot surfaces; use handles or knobs. Accessible surfaces will get hot during operation.
7. Do not use the appliance if the plug, the mains cord, the base or the appliance itself is damaged.
8. Do not leave the appliance unattended when in use.
9. Children should be supervised to ensure that they do not play with the appliance.
10. This appliance is not intended for use by persons (including children) with reduced physical, sensory, or mental capabilities, or lack of experience and knowledge, unless they have been given supervision or instruction concerning use of the appliance by a person responsible for their safety.
11. To protect against fire, electric shock, and injury to persons, do not immerse the appliance in water or any other liquids.
12. Do not use an extension cable as it may result in fire, electric shock and /or personal injury due to a tripping hazard.

-
13. Do not let the cord hang over the edge of a table or counter, touch hot surfaces or become knotted.
 14. Place the appliance on a stable flat surface before use. Do not place this appliance on or near a hot gas or electric burner or on the top of other electric appliance.
 15. Always turn the power off at the power outlet and then remove the plug before attempting to move the appliance which is not in use, when no water is in the kettle or filling water and before cleaning or storing.
 16. If the mains lead is damaged it must be replaced by the manufacturer with a lead of the same type and rating to avoid a hazard.
 17. Be careful when opening the lid immediately after the water has boiled, the steam coming out of the kettle is very hot constituting a risk of scalding.
 18. Do not use the kettle to heat anything other than water. Never fill the kettle beyond the maximum level indication. Do not operate the kettle if water is below the minimum level.
 19. Do not fill the kettle when positioned on the power base. Dry the water on the bottom of the body before placing it onto power base.
 20. This kettle is only to be used with the stand provided.
 21. Do not insert any object into slots or holes of the kettle.

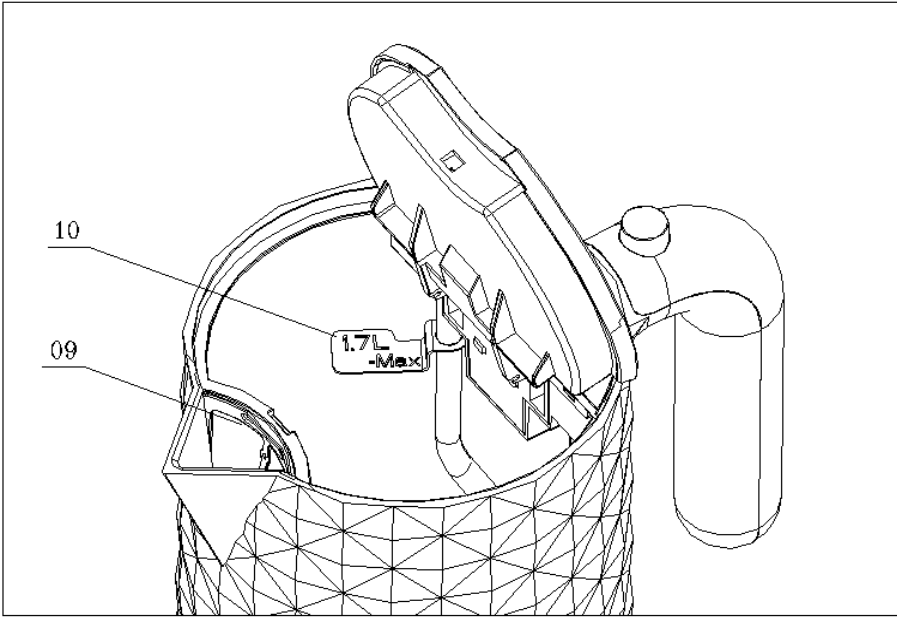
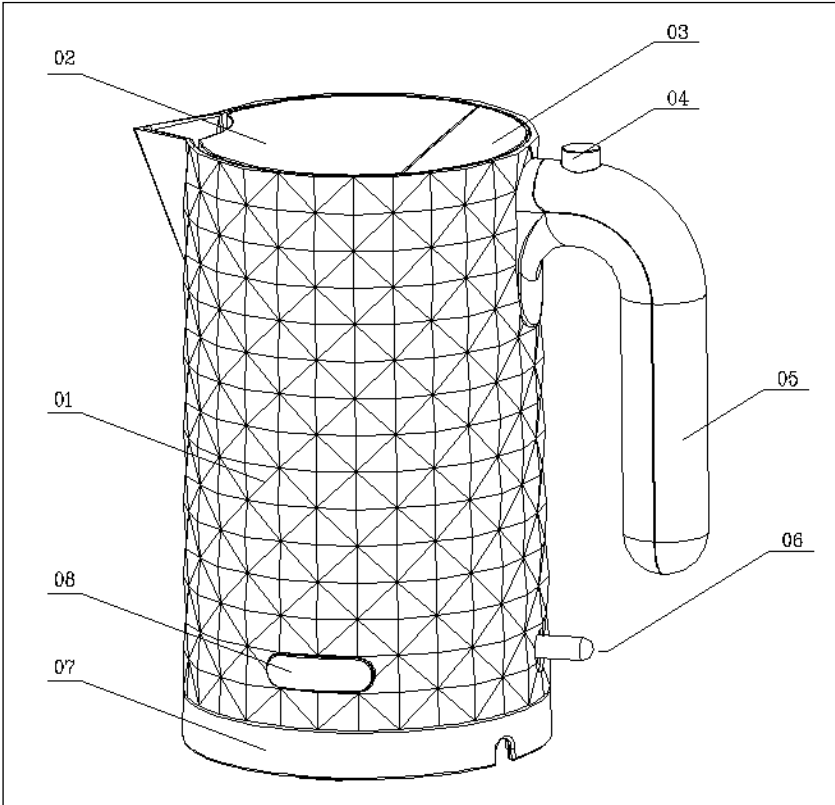
CAUTION

- Ensure that the kettle is switched off before removing it from the power base..
- If the kettle is overfilled, boiling water may be ejected constituting a scalding hazard.
- Never immerse the kettle or its lead in water or any other liquid.

WARNINGS

- **Do not use this appliance within reach of a bath or a sink or any vessel containing water or liquids.**
- **Close the lid until a click is heard so that steam is directed away from the handle.**
- **Never press the lid release button to open the lid while the water is boiling.**
- **If the appliance is dropped in water do not reach for it. Switch it off and disconnect at the mains and drain the water before retrieving the appliance. Do not use the appliance again until it has been checked by our service agents..**
- **Never repair the appliance yourself. To reduce the risk of fire or electric shock, do not remove the bottom of the body or the power base by yourself.**
- **Do not remove the lid while the water is boiling.**

PARTS



-
1. Body
 2. Front Lid
 3. Back Lid
 4. Button
 5. Handle
 6. Switch
 7. Power base
 8. LOGO
 9. Filter
 10. Max-mark

USING THE KETTLE

Before first use, fill the kettle with fresh water up to the maximum level and let the water boil once, pour out the hot water and rinse the kettle once more.

BOIL-DRY PROTECTION

This kettle is equipped with boil-dry protection. This kettle is automatically switched off and the neon light goes off if it is accidentally switched on when there is no water in it.

Make sure the kettle is switched off and unplugged from the power socket.

1. Remove the kettle from the power base. Fill the kettle with desired amount of fresh water either through the spout or through the open lid. To open the lid, press the lid release button.

-
2. Close the lid and place the kettle on the power base.
 3. Insert the plug into the power socket and push the switch. The neon light comes on to indicate the kettle starts heating up.
 4. The kettle switches off automatically. when the water boils and the neon light turns off.

CLEANING & DESCALING

- Clean the outside of the kettle using a damp cloth.
- Lift the filter out of the kettle. Wash it with clean water and dry thoroughly before replacing in the kettle.

DESCALING THE KETTLE

1. Fill 0.5L white vinegar into the kettle with 1.2L water and leave the solution for over 1 hour.
2. Empty the solution from the kettle. Wipe off the deposits with damp cloth.
3. Fill the kettle with clean water, bring to boil and then discard the water. Repeat before using again.
4. Repeat the procedure if there is still some scale in the kettle.

PRODUCT WARRANTY

This product is backed by a 2-year manufacturing warranty against manufacturing defects. Commercial use will result in immediate void of the warranty. For any warranty claims, please contact us at support@russelltaylors.com. Kindly include your order number or receipt for warranty verification purposes.