

# Russell Taylors

E-WARRANTY



SCAN HERE

[www.russelltaylors.co.uk](http://www.russelltaylors.co.uk)

**USER MANUAL M4**



## **IMPORTANT SAFEGUARDS**

- If the door or door seals are damaged, do not operate the oven until it has been repaired by a qualified technician.
- It is hazardous for anyone other than a trained person to carry out service or repair operations involving the removal of covers that provide protection against microwave energy exposure.
- Liquids or other foods must not be heated in sealed containers, as they may explode.
- Use only utensils that are suitable for use in microwave ovens.
- Do not use metallic containers for food or beverages during microwave cooking.
- When heating food in plastic or paper containers, monitor the oven carefully due to the risk of ignition.
- This appliance is designed for heating food and beverages. Do not use it for drying food, clothing, or heating items such as warming pads, slippers, sponges, or damp cloths, as these may cause injury, ignition, or fire.
- If smoke is observed, switch off or unplug the appliance and keep the door closed to smother any flames.
- Microwave heating of beverages may result in delayed eruptive boiling; exercise caution when handling containers.
- The contents of feeding bottles and baby food jars should be stirred or shaken, and the temperature checked before consumption to avoid burns.
- Do not heat eggs in their shells or whole hard-boiled eggs in the microwave, as they may explode even after heating has ended.
- Failure to maintain the oven in a clean condition may lead to deterioration of the surface and could result in a hazardous situation.
- The appliance must not be placed inside a cabinet.
- Take care not to displace the turntable when removing containers.

- Do not clean the appliance with a steam cleaner.
- When operating in combination mode, children should use the oven only under adult supervision due to the high temperatures generated.

### **CAUTION: HOT SURFACE**

- If the supply cord is damaged, it must be replaced by the manufacturer, its service agent, or a qualified person to avoid hazards.
- The appliance is not intended for use by persons (including children) with reduced physical, sensory or mental capabilities, or lack of experience and knowledge, unless they have been given supervision or instruction concerning the use of this appliance by a person responsible to their safety.
- Children must not play with the appliance.
- Cleaning and maintenance should not be performed by children without supervision.
- Do not place the glass plate directly into cold water after use. Allow it to cool for at least 20 minutes before washing to avoid cracking.

### **Group 2 Class B Appliance**

- Group 2 ISM equipment: This appliance intentionally generates and/or uses radio- frequency energy in the form of electromagnetic radiation for material treatment (includes EDM and arc welding equipment).
- Class B equipment: Suitable for use in domestic establishments and in buildings directly connected to a low- voltage power supply network for domestic purposes.
- EU market notes: internal LED light <60 lm. After the appliance is plugged in or at the end of a cycle, it automatically enters standby mode (standby power <0.8 W).

## **INSTALLATION**

1. Remove all packaging materials. If a protective film covers the oven, remove it before use.
2. Inspect for any damage. If damaged, notify your dealer or contact the manufacturer's service center immediately.
3. Place the microwave oven in a dry, non- corrosive environment, away from heat sources and humidity (e.g., gas burners or water tanks).
4. Ensure proper ventilation:
  - Rear clearance: at least 20 cm
  - Side clearance: at least 5 cm
  - Top clearance: at least 20 cm
  - Height from floor: at least 85 cm
5. Position the oven away from televisions, radios, or antennas (at least 5 m) to prevent interference.
6. Ensure the plug is accessible and the appliance is properly grounded to prevent electric shock.
7. Operate the oven only with the door closed. Do not build into a cabinet; this model is intended for freestanding use.
8. A slight odor or smoke may occur on first use due to manufacturing residues. Place a cup of water inside, set to high power, and operate several times to eliminate odor. Keep the area well ventilated.

## **CLEANING & CARE**

Unplug the appliance before cleaning and allow it to cool. Do not immerse the oven in water or any other liquid.

- Clean the oven regularly and remove any food deposits.
- Failure to clean properly may cause surface deterioration and hazards.

- Do not use harsh detergents, gasoline, abrasive powders, or metal brushes.
- Do not remove the wave-guide cover.

### **To Remove Odors**

- Place several lemon slices in a cup of water and heat on high power for 2–3 minutes.
- Heat a cup of red tea on high power.
- Place orange peels inside and heat for 1 minute.
- Store the oven in a dry, well-ventilated place when not in use.

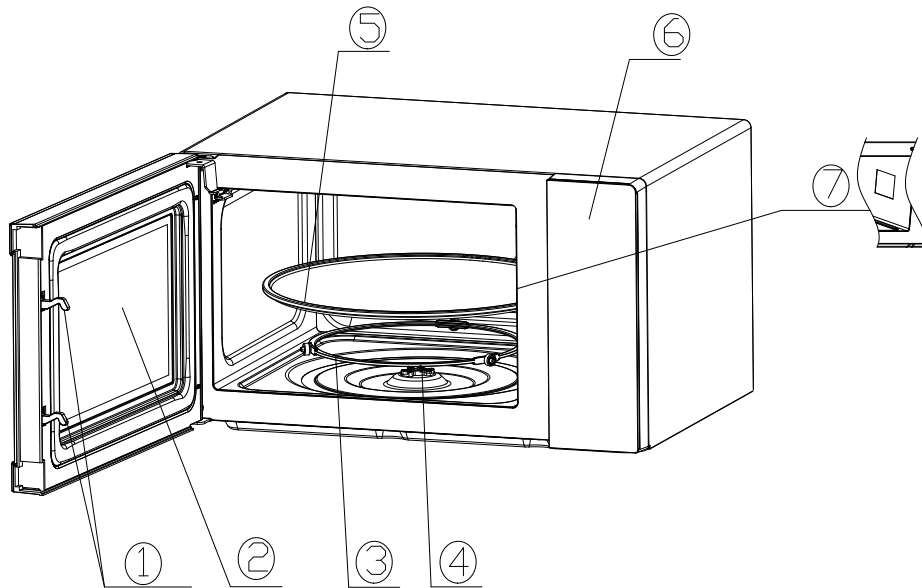
### **Cleaning Surfaces in Contact with Food**

- Wipe the waveguide cover with a damp cloth, then dry thoroughly.
- Remove grease buildup to prevent overheating or fire.

### **Tips for Cleaning**

- Exterior: Wipe with a soft, damp cloth.
- Door and window: Wipe with a damp cloth; clean seals and adjacent parts to remove spills or spatters.
- Control panel: Wipe gently with a slightly damp cloth.
- Interior walls: Clean with a damp cloth and dry thoroughly.
- Turntable, ring, and axis: Wash with mild soapy water, rinse, and dry completely.

## PRODUCT DESCRIPTION



- Door lock- Ensures door closure before operation.
- Viewing window – Allows you to monitor cooking progress.
- Rotating ring – Supports and balances the turntable.
- Rotating axis – Drives the turntable rotation.
- Turntable – Holds food and rotates for even cooking.
- Waveguide cover – Protects the microwave source; do not remove.

## **CONTROL PANEL OPERATION**

### **1. CLOCK SETTING**

The maximum time setting is 30 minutes. A bell rings at the end, and the knob returns to the '0' position.

**MICROWAVE FUNCTION:** There are six power levels: Low (17%), Defrost (37%), M.Low (40%), Med (66%), M.High (85%), and High (100%).

### **DEFROST GUIDE**

Example defrosting times: 250 g – 4 min; 500 g – 8 min; 750 g – 12 min.

Turn food midway for even results.

## **OPERATION**

1. Ensure the timer is at '0' before connecting power.
2. Do not block ventilation openings.
3. Place food on the glass turntable and close the door. Always use a suitable container.
4. Do not operate when empty, as it may damage the oven.
5. Select the desired microwave power level.
6. Set the timer. For times under 2 minutes, turn past 3 minutes and return to the desired setting.
7. Cooking starts once the timer is set. To pause, open the door; close to resume.
8. When time elapses, a bell rings and the light turns off.
9. If removing food early, reset timer to '0' to prevent idle operation.
10. Use gloves when removing hot food and avoid touching inner walls.

Cooking typically takes 2–5 minutes. Monitor food and avoid overheating. Stir porridge or soups before heating and cover with vented plastic film. Turn food midway for even defrosting.

## **UTENSIL GUIDELINES**

Select containers that are safe and suitable for microwave use. Improper vessels may damage the oven or affect cooking results.

### **Recommended Materials**

- Heat-resistant ceramic: Yes – Avoid metal rims or glazes; use materials rated above 120°C.
- Heat-resistant plastic: Yes – Not for prolonged cooking.
- Heat-resistant glass: Yes – Safe for general use.
- Grill rack: No – Not microwave-safe.
- Plastic film: Yes – Do not use with meat or chops; may melt from high temperature.

### **COOKING TIPS**

- Arrange food with thicker parts outward and thinner parts in the center.
- Start with shorter times, check doneness, and extend as needed.
- Turn or stir foods like chicken or steak midway for even cooking.
- Let food stand after cooking to complete heating evenly.
- Check doneness: steam throughout, movable joints, no pink meat, opaque fish.
- Use a porcelain plate under browning dishes to protect the turntable.
- Avoid plastic wrap contact with fatty foods.
- Use microwave-safe plastic only for short heating of low-fat foods.

### **MAINTENANCE**

1. Place 150 ml of water in a cup, close the door, and run for 1 minute.
2. Check if the oven lamp and fan operate.
3. Ensure turntable rotates (direction may vary).
4. Verify water is hot after test.

If the oven fails any step, check power and fuses. If issues persist, contact an authorized service center.

## **SERVICING SAFEGUARDS**

- Caution: Microwave Radiation – The high-voltage capacitor retains charge after disconnection. Discharge before servicing.
- High-voltage parts: magnetron, transformer, capacitor, diode, and fuse.
- Avoid leakage risks: ensure proper fitting of magnetron, door interlocks, hinges, and seals.

## **CORRECT DISPOSAL**

This symbol means the product must not be disposed of with household waste in the EU. Recycle responsibly to prevent harm to the environment or health. Return it to a collection point or retailer for safe recycling.