

Russell Taylors

E-WARRANTY



SCAN HERE

ELECTRIC MULTI COOKER (WITH STEAMER)

USER MANUAL

www.russelltaylors.co.uk

MC25



RT

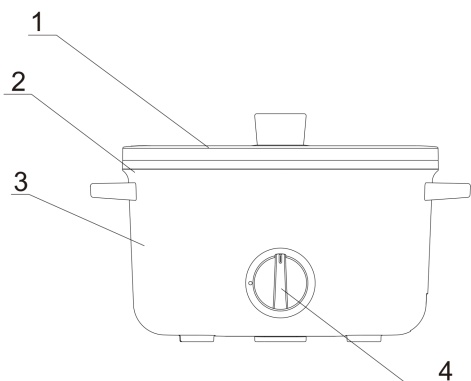
1. Please read carefully and follow the safety instructions before using.
2. The product should be used with power cord provided in the packaging.
3. The bottom cover of the pot must be dried before the pot is placed on the power base.
4. The product should be placed by your side when working, do not leave without care, in case of being scalded.
5. Do not place the product in a place accessible to children or mentally handicapped persons to prevent burns or other injuries.
6. When using, place the product on a flat surface, do not put it close to other heat sources, and do not place it on other electrical appliances.
7. When the product is working, do not touch the steam escaping from the glass cover to prevent burns and other injuries.
8. The water added should not exceed the maximum water level to prevent boiling water from splashing out and burning the user; Do not go lower than the lowest water level to avoid dry burning of the heating plate and damage to the product. A glass lid must be put on when boiling water.
9. The first time you use it, you should add water to the maximum water level, then boil the water and throw it away to clean the pot.
10. Do not allow power cords to hang on a table or touch hot objects.
11. Do not pour water into the body of the pot in order to avoid short circuit.
12. Please use the power socket with the same voltage as indicated on the product nameplate.

13. If the power cord is damaged, please contact our service center at support@russelltaylors.com for a replacement.

14. In case of any fault, please send the product to the maintenance office for maintenance before use. Users must not repair the product by yourselves. To avoid electrical hazards, please do not disassemble the bottom cover of the pot body or the power cord by yourself.

15. This product is only used for indoor or similar places as well as household use only.

Components of the product



- 1. Glass lid
- 2. Pot body
- 3. Anti-scald case
- 4. Knob
- 5. Power Cord

Notice: The picture is only for your reference.



How Does It Work?

1. When the knob is pointed to "O", the product is not turned on, the indicator light is not on, and the product is not heated.
2. When the knob is pointed to "I", the product is turned on, the indicator light is on and heated. Currently, the product power is on low power, therefore heating is slow.
3. When the knob points to "II", the product is turned on, the indicator light is on and heated, and the power is high power at this time, therefore the heating is fast.
4. If the indicator light suddenly does not go on when the power is on, there are two reasons for this situation. one reason is the pot is sticky. Please wash and clean the pot appropriately. The other reason is that there is no water in the pot. The pot automatically turns on the anti-overheating mode. It will be reheated automatically one to three minutes later.
5. For safety, always turn the knob to O/off" if you stop using the product.

Common Usage

First: Boil Water

1. Remove the lid and add water, neither below the minimum level nor above the maximum level, then close the lid.
2. Insert the power plug into the power supply, adjust the knob to "II", the indicator will be turned on, and the product will start the heating process.
3. After about 10 minutes, the water begins to boil. Turn the knob to "off" and the indicator goes off.

Second: Cook noodles

1. Remove the lid and add water, neither below the minimum level nor above the maximum level, then close the lid.
2. Insert the power plug into the power supply, adjust the knob to "II", the indicator light will be on, and the product will start heating.
3. After about 10 minutes, the water will begin to boil, add the noodles in the pot. Then add the seasoning and stir evenly. Turn the temperature knob to "I" if you want to reduce the heat . Turn the high temperature knob to the "off", and the indicator goes off.

Third: Hot pot

1. Remove the lid and add water, neither below the minimum level nor above the maximum level, then close the lid.
2. Insert the power plug into the power supply, adjust the knob to "II", the indicator will be on, and the product will start heating.
3. After 10 minutes, the water will begin to boil. Put the dishes into the pot, cook them and serve. If you want to reduce the power, turn the knob to "I". If you don't want to heat up, turn the knob to " off "to turn off the power.