

# Russell Taylors

E-WARRANTY



SCAN HERE

[www.russelltaylors.co.uk](http://www.russelltaylors.co.uk)

## Electric Kettle

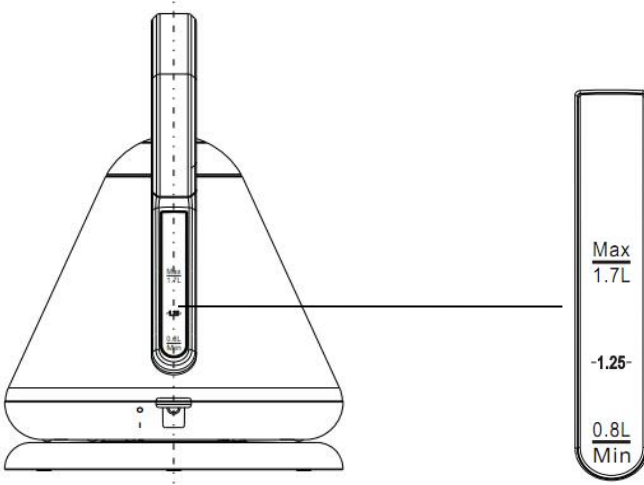
**USER MANUAL**



**RK-10**

# USING THE KETTLE

**Remove the kettle from the base when filling.**



- To fill the kettle, open the cover by lifting the lid
- Fill to the desired level (Min 0.8 L~Max.1.7L)
- Close the lid by pressing it down until it clicks into place.

## Switching on

- Plug the power supply cord into the main power supply.
- To switch on the kettle, press the On/Off switch down. The power indicator will light up.

## Switching off

- When the water has boiled the kettle will automatically switch itself off.
- You can stop the boiling process at any time by lifting the On/Off switch. The power indicator will turn off.

**Note:** Do not open the lid when steam is coming out of the spout. The kettle is only to be used with the stand provided.

# CLEANING & MAINTENANCE

- Avoid using abrasive cleaning agents.

## Descaling

For everyday use, descale the kettle at least twice a year following the procedure below.

- Half fill the kettle with tap water and squeeze 1 lemon into the water.
- Boil this mixture and allow it to stand for 15 minutes. Re-boil the mixture and allow it to stand for a further 15 minutes. Re-boil this mixture a third time then rinse the kettle.

This procedure may need to be repeated in extreme cases. Abrasive cleaners must not be used as these will damage the finish. Use of abrasive cleaners will damage the interior walls of the kettle and will not be valid for warranty claims.

# CONNECTING TO POWER

- Before connecting, check that the voltage indicated on the appliance (bottom of the appliance) corresponds with the main voltage in your home. If this is not the case, consult your dealer and do not use.
- This unit must be earthed. This equipment must be disconnected from the mains when not in use. Do not allow this unit to be exposed to rain or moisture.

For your own safety read the following instructions carefully before attempting to connect this unit to the mains.

You should only plug the appliance into a 120V AC, 60Hz supply. Connecting it to other power sources may damage the appliance.

## Disposal Information



Waste electrical products should not be disposed of with household waste. Please recycle where facilities exist. Check with your local authority for recycling advice.

## Safety Warnings

- Please read these instructions carefully before using the kettle for the first time.
- Before you connect the kettle to the main power supply, make sure that the voltage indicated on the rating plate, located on the bottom of the jug kettle matches the mains voltage in your home.
- The kettle will switch off automatically when the water has boiled. You may switch the kettle off before the boiling process is complete by using the on/off switch.
- After the kettle has switched off automatically (or has been switched off manually) it may need time to cool down. After 15-20 secs, the kettle can be switched on again.
- If the kettle ever boils dry, allow 15 minutes to cool before refilling with cold water. The safety cutout will automatically reset during this time.
- Place the kettle on a stable flat surface.
- Ensure that the kettle is switched off before removing it from its base.
- Never immerse the kettle or cord in water or any other liquid. Do not allow liquid to penetrate the electrical parts of this kettle.
- Keep away from children.
- Before cleaning the kettle, disconnect it from the power supply and wait until it has cooled down.
- The kettle may be cleaned with a damp cloth.

- Upon receiving the kettle, the first batch of water boiled in it should be thrown to wash the interior of the kettle.
  - Only use the base supplied with this kettle.
  - The outside surface of the kettle may get hot during use, please take caution when using the kettle.
1. Never fill in water more than the maximum acceptable water level.
  2. If the supply cord is damaged, it must only be serviced by a qualified electrical person.
  3. Do not remove lid while the water is boiling.
  4. Do not overfill kettle.
  5. This appliance is not intended for use by young unless they have been adequately supervised by responsible person to ensure that they can use the appliance safely.
  6. This appliance is for household use only. Commercial use will result in immediate void in warranty.
  7. CAUTION: Do not operate the kettle on an inclined surface; do not operate the kettle unless the element is fully immersed. Do not move while the kettle is switched on.
  8. Warning: "Position the lid so that steam is directed away from the handle"
  9. To prevent damage to the appliance do not use alkaline cleaning agents when cleaning, use a soft cloth and a mild detergent.

# Russell Taylors

[www.russelltaylors.co.uk](http://www.russelltaylors.co.uk)

