

**TOASTER SERIES
INSTRUCTION
MANUAL**

E-WARRANTY



SCAN HERE

Russell Taylors

www.russelltaylors.co.uk

RT30



Warranty Policy

This product is backed by a 2-year warranty against manufacturing defects. To register your warranty, scan the QR code and fill up the details required.

E-WARRANTY



For warranty claims, submit an email to malaysia@russelltaylors.co.uk and include your order number (Online orders) or a copy of your receipt (Offline orders). If you have already registered your warranty online, you will not need to provide a copy of your receipt or order number.

The product is only for household usage. Any evidence of the product being used for commercial purposes will result in a void of warranty.

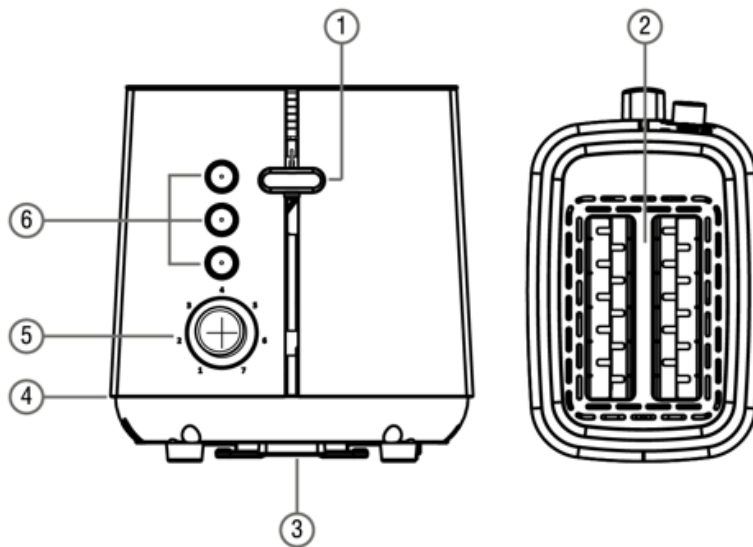
The warranty does not apply to a product that:

- A. Has failed due to excessive wear and tear beyond what is considered to be reasonable
- B. Has been misused or neglected
- C. Has been damaged accidentally or by force majeure.
- D. Has been used or operated contrary to the operating or maintenance instructions outlined in this manual.

Instructions Before Use

- Remove all the packaging material, include those inside the toasting slots or toasting lever slots.
- Wipe the exterior with a damp cloth and dry thoroughly. Do not use abrasive cleaners.
- Do not put the toaster, cord or plug in water.
- Make sure the crumb tray is pushed into the back of the toaster and the toasting levers are up.
- Unwrap the power cord from the cord storage area on the underside of the toaster and plug it into a 220-240V outlet.
- Turn the brown selector knob to MAX (7).
- Lower the toasting levers (Loading handles) until they lock in place. You will need to operate it without bread once or twice to burn off any manufacturing residue. You may notice a fair amount of smoke; this is normal and will stop as the heating elements continue to heat.
- Take note that the toasting lever will only lock down when the toaster is plugged into an electrical outlet that is **turned on.**

Identifying Parts



1. Loading Handles
2. Bread Slots x2
3. Cord Storage
4. Crumb Tray (Slides out behind the toaster)
5. Browning Control Knob
6. Function Buttons
 - a. Cancel
 - b. Reheat
 - c. Defrost

Using The Toaster

1. Place two slices of bread into the bread slots and press the handle down until it latches. The bread will be lowered into the toaster and the toasting will begin.

Please Note: The handle will not latch if the unit is not connected to power.

Warning: Bread may burn. This toaster should not be used near or below curtains or other flammable items.

2. If the toast starts to burn before it has popped up, toasting can be stopped by pressing the “cancel” button.
3. If you find the toaster is not dark enough, you may wish to toast the bread again. Turn the browning control down and carefully watch

the toaster to ensure the toast does not burn. Remember to increase the browning control setting for later operations. Reduce the browning control if the toaster is too dark before toasting the next slice.

Please note that dry or thin slices will toast quicker than a moist or thick slice. You may choose to start with a lower browning control setting for your first slice to have an idea of how much the browning control should be for the type of bread you are using. When toasting two slices at the same time, try to use the same size and consistency of bread on each side to achieve equal browning.

4. The handle will quickly rise to be fully positioned after toasting. The bread can now be removed and the toaster is ready to recommence toasting.
5. When toasting raisings or other fruit breads, remove any loose fruit from the surface of the bread before placing it into the toaster. This will help prevent pieces from falling into the toaster or sticking to the slots guard wire.
6. Never force food into the toasting slot. They should fit freely between the guard wires.

DO NOT TOUCH THE TOASTER WALLS WHEN IN USE.

Cancel Function:

You can press the cancel button to stop the toaster during the cooking process. This will stop the heating and the bread will automatically come up to the initial state.

Reheat Function:

If, after toasting, the bread gets cold, it can be reheated pressing the loading handle down. When you have done that, press the reheat button and it will reheat for 30 seconds max at a time. Keep an eye on the bread while reheating.

Defrost Function:

When using bread straight from the freezer, set the browning control to the desired position and press the handle down. When this is done, press the defrost button and the power and defrost indicators will light up. Keep an eye on the bread for any signs of burning.

Safety Precautions

- This product has been designed for indoor and domestic use only.
- Use the appliance for its intended use only.
- Close supervision is needed if the appliance is used by or near children.
- This appliance should not be used by persons (including children) with reduced physical, sensory or mental capabilities or lack of experience and knowledge unless they have been given supervision or instructions concerning the appliance used by a person responsible for their safety.
- Children should be supervised to ensure that they do not play with the appliance.

Russell Taylors