

# Russell Taylors

E-WARRANTY



SCAN HERE

[www.russelltaylors.co.uk](http://www.russelltaylors.co.uk)

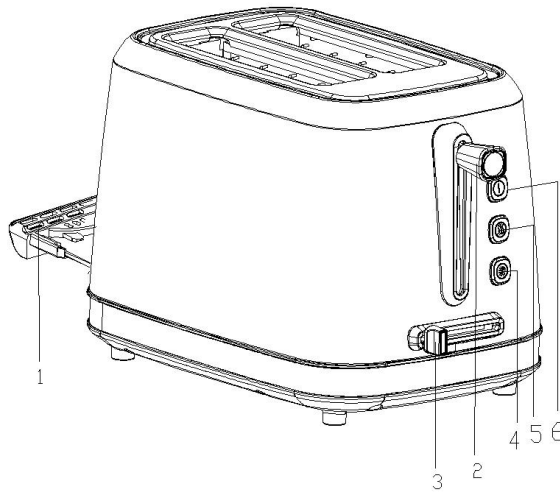
**Retro Toaster**

**USER MANUAL**



**RT-10**

## PRODUCT INFORMATION



1. Crumb Tray
2. Loading Handle
3. Browning Control
4. Defrost Function
5. Reheat Function
6. Cancel Function

**The surface of the toaster may be hot while operating.**

## ELECTRICAL SAFETY

1. If the supply cord is damaged, it must be replaced by the Russell Taylors support team or by a qualified person to avoid any injuries.
2. The appliance is not intended to be operated by an external timer or remote control system.
3. Wait for this toaster to cool before moving it.
4. Close supervision is necessary when any appliance is used by or near children.
5. Never lift the toaster by placing your fingers inside or near the bread slot.

6. Always ensure that the toaster has completely cooled down before storing it.
7. Flammable material such as paper, plastic, etc. should not be near the sides or top of the toaster when it is being used. The toaster should not be used under a cupboard or close to a wall as it may result in scorching of the wall or cupboard.
8. NEVER attempt to remove bread which has jammed in the slots without first unplugging the toaster from the main power supply. Be careful not to damage the internal mechanism or heating elements when removing the bread.
9. It is important that crumbs are not allowed to build up inside the toaster. Crumbs can be removed by simply sliding open the crumb tray at the bottom of the toaster. You can then tip the crumbs out. CAUTION: Always ensure the toaster is fully cooled and disconnected from the main power supply before carrying out this operation. Never touch the internal parts of the toaster with a brush or any other foreign object.
10. Clean the outer surface with a soft damp cloth only after unplugging the toaster from the main power supply.
11. To prevent jamming, do not use the toaster with torn slices and ensure that the size and thickness of the slice fits readily into the slot. Do not operate the toaster without bread.
12. Do not use the appliance if it is damaged until examined by our service center.
13. This appliance is only for indoors used only.
14. This appliance is for household use only. Warranty is voided if it is used for commercial purposes.
15. Do not immerse the toaster in water or any other liquid.
16. Keep the appliance and its cord out of reach of children less than 8 years.

# OPERATION

1. On first use, operate the toaster twice on a light setting with no bread in it to disperse the initial burning element smell. This is normal for first time use.
2. Place two slices of bread in the bread slots and press the loading handle down until it latches. The bread will be lowered into the toaster and toasting will begin  
  
PLEASE NOTE: The handle will not latch if the unit is not connected to any power supply.
3. **WARNING.** Bread may burn. This toaster should not be used near or below curtains and other combustible materials. This toaster must be watched.
4. If the toast starts to smoke before it has popped up, toasting can be stopped by pressing the Cancel button.
5. If you should find that the toast is not dark enough you may toast the bread again. Turn the browning control down and keep a careful eye on the toaster to ensure that the toast does not burn. Remember to increase the browning control setting for subsequent operations. If the toast is too dark, reduce the browning control before toasting the next slice.  
  
PLEASE NOTE: Remember that dry or thin slices will toast quicker than moist or thick slice , so use a lower browning control setting. When toasting two slices at the same time try to use the same size and consistency of bread to achieve equal browning.
6. When toasting has finished the handle will rapidly rise to the fully raised position. The toasted bread can now be removed, and the toaster is ready to recommence toasting.

# FUNCTIONS

## **Cancel Function**

If in the process of toasting, you want to stop, press the cancel button. This will stop heating and the bread will automatically come up to the initial state.

## **Reheat Function**

If after toasting the bread gets cold, it can be reheated by setting the browning control to a low setting and pressing the loading handle down. When you have done that, press the reheat button to automatically set the reheat time. Again, keep watching the bread to prevent from burning.

## **Defrost Function**

When using bread straight from the freezer, set the browning control to the required position and press the handle as normal. When this is done press the defrost button and the power indicator and the defrost setting indicator will light up. Always keep an eye on the bread for any signs of burning.

# ADDITIONAL INFORMATION

1. Toasting is a combination of cooking and drying the bread.
2. Moisture levels differ from one bread to another which can result in varying toasting times.
3. For slightly dry bread, use a lower setting than normal.
4. For fresh bread or whole wheat, use a higher setting than normal.
5. Breads with very uneven surfaces will require a higher setting.

6. Thickly cut pieces of bread (including crumpets) will take longer to toast, sometimes significantly longer, since more moisture must be evaporated from the bread before toasting can occur. Very thick pieces may require two cycles.
7. When toasting raisin or other fruit breads, remove any loose raisins from the surface of the bread before placing into the toaster. This will help prevent pieces from falling into the toaster or sticking on the guard wire in the slot.
8. Never force foods into toasting slot. Foods should fit freely between the guard wires.
9. Do not toast buttered breads.
10. Uneven toasting is usually due to bread slices of uneven thickness.

Do not dispose of electrical appliances as unsorted municipal waste. Contact your local government for information regarding the collection systems available. If electrical appliances are disposed of in landfills or dumps, hazardous substances can leak into the groundwater and damage your surround area & ecosystem.

# Russell Taylors

[www.russelltaylors.co.uk](http://www.russelltaylors.co.uk)

