

# Russell Taylors

E-WARRANTY



SCAN HERE

[www.russelltaylors.co.uk](http://www.russelltaylors.co.uk)

TOASTER

USER MANUAL

T1



This product is backed by a 2-year warranty against manufacturing defects. For warranty claims, please contact us at [malaysia@russelltaylors.co.uk](mailto:malaysia@russelltaylors.co.uk) and provide your order number or invoice.

## IMPORTANT SAFEGUARD

When using electrical appliances. Basic safety precautions should always be followed including the following:

1. Read all the instructions.
2. Make sure that your outlet voltage corresponds to the voltage stated on the rating label of the toaster.
3. Do not touch any hot surface. Use handles or knobs only.
4. To protect against electrical shock, do not immerse cord, plug, or any part of the toaster in water or other liquid.
5. Close supervision is necessary when it is used by or near children.
6. Unplug unit from outlet when not in use and before cleaning.
7. Do not operate any appliance with a damaged cord or plug, or in abnormal state. If its main cord is damaged, it must be replaced by the manufacturer, the nearest service agent or a qualified person.
8. Do not let the cord hang over edge of table or counter, or touch hot surface.
9. Do not place on or near a hot gas or electric burner, or in a heated oven.
10. Do not use the appliance for other than its intended use.
11. Oversize food, metal foil packages or utensils must not be inserted in the toaster as they may cause fire or electric shock.
12. Bread may burn; therefore, toasters must not be used near or below curtains and other combustible materials, they must be watched.
13. The use of accessory attachments not recommended by the appliance manufacturer may cause injuries.
14. Don't attempt to dislodge food when toaster is in operation
15. Be sure to take the bread out carefully after toasting so as to avoid injuries
16. This appliance has been incorporated with a grounded plug. Please ensure the wall outlet in your house is well earthed.
17. The appliance is not intended to be operated by means of an external

timer or separate remote-control system.

18. This appliance can be used by children aged from 8 years and above and persons with reduced physical, sensory or mental capabilities or lack of experience and knowledge if they have been given supervision or instruction concerning use of the appliance in a safe way and understand the hazards involved. Children shall not play with the appliance. Cleaning and user maintenance shall not be made by children unless they are older than 8 and supervised.

19. Keep the appliance and its cord out of reach of children less than 8 years.

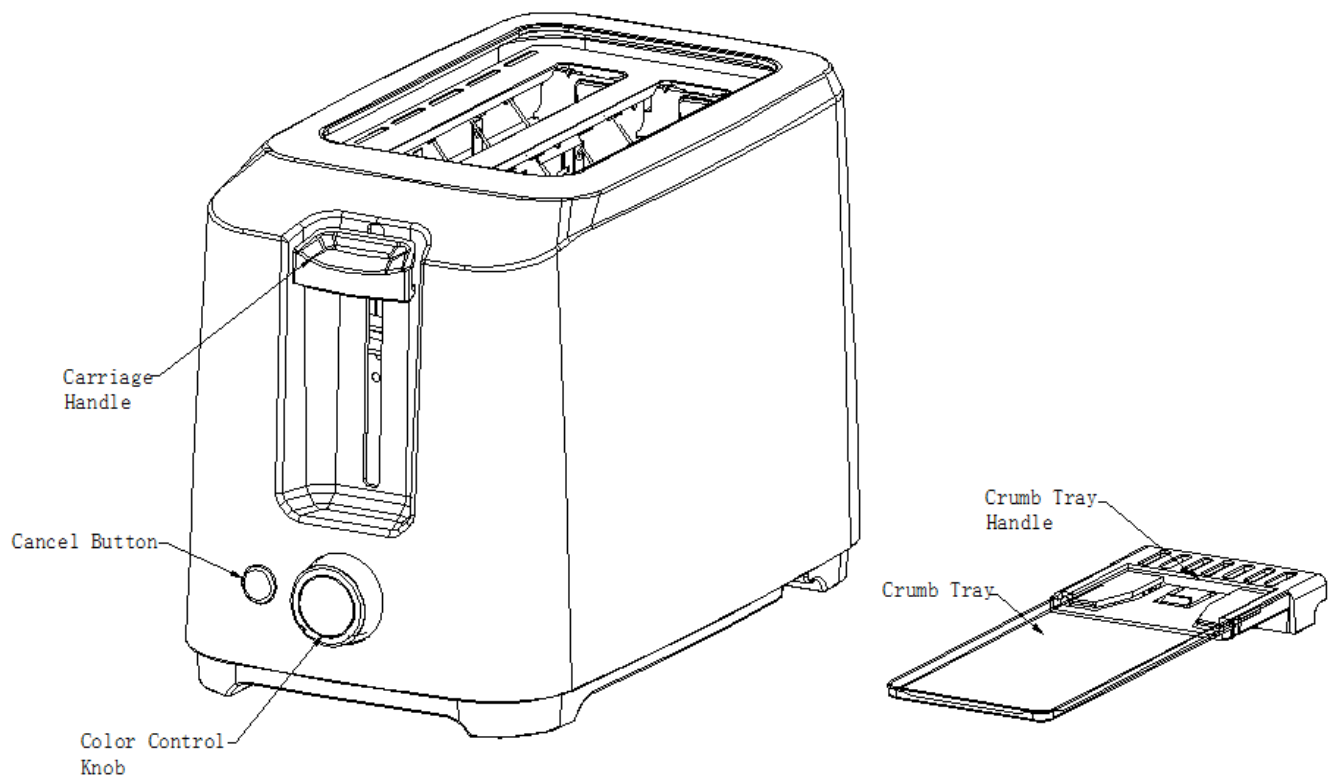
20. Warning: if toast of small bread slices less than 85mm length, you must pay attention to the potential risk of burning when taking out the slices.

21. Don't use the appliance outdoors.

22. This appliance is intended to be used in households only.

23. Save these instructions.

## PRODUCT INTRODUCTION



## FOR THE FIRST USE

As there is manufacturing residue or oil remaining in the toaster or heat element, it usually emits an odor for the first use. It is normal and will not occur after several uses. Before toasting the first slice of bread it is strongly suggested to operate the appliance following below instructions.

## OPERATION

1. Put bread slice into the bread slot, it can be inserted two slices at most every time. Only regular slice bread can be placed into the bread slot.

**Note:** Make sure the crumb tray is completely positioned in place before using.

2. Plug the power cord into the outlet.

3. Set color control knob to your desired color. There is 7-position level, the lowest is white and the highest is puce. The bread slice can be toasted to golden color at the position of "4".

4. Press the carriage handle down vertically until it is positioned in place, the indicator **Cancel** will be illuminated and toasting begins. Once the bread has been toasted to the preset color, the carriage handle will automatically spring up, and you can remove the bread.

**Note:** The carriage handle can only be latched when the appliance connects to the power supply.

5. During the toasting process, you may observe the toasting color. If it is satisfactory, you may interrupt the toasting process by pressing the **Cancel** button at any time.

## CAUTION

1. Remove all protective wrappings prior to toasting.
2. If toaster starts to smoke, Press **Cancel** to stop toasting immediately.
3. Avoid toasting food with extremely runny ingredients such as butter.
4. Never attempt to remove bread jammed in the slots without unplugging the toaster from the electrical outlet first. Be sure not to damage the internal mechanism or heating elements when removing bread.
5. The bread slot is only applicable for toasting regular bread slice.
6. In order to achieve uniform color we recommend that you should wait minimum 30s between each toasting so that color control can reset automatically.

## CLEANING & MAINTENANCE

1. Disconnect the power supply before cleaning.
2. Wipe the outside with soft dry cloth after toaster cools down, never use metal polish.
3. Pull out the crumb tray on the bottom of toaster by crumb tray handle and empty it. If toaster is used frequently, accumulated bread crumbs should remove at least once a week. Make sure the crumb tray is completely closed before using the toaster again.
4. When not use or storage, the power cord may be wound under the bottom of toaster.

## ENVIRONMENT FRIENDLY DISPOSAL



You can help protect the environment!  
Please remember to respect the local regulations: hand in the non-working electrical equipments to an appropriate waste disposal centre.

# Russell Taylors