

Russell Taylors

E-WARRANTY



www.russelltaylors.co.uk



SCAN HERE

Cordless Vacuum Cleaner

USER MANUAL



V7

This product is covered by a 2-year warranty against manufacturing defects. For all warranty claims, please email support@russelltaylors.com and include a copy of your invoice or order ID number as proof of purchase. You are entitled to one (1) warranty claim during the warranty period

BEFORE THE FIRST USE

- Always charge the appliance before using it.
- Before connecting, make sure the voltage indicated on the CHARGER corresponds to the local mains voltage.
- If the plug, cord, or the appliance itself is damaged, kindly do not use it.
- If the appliance's power cord is damaged, it must be replaced to prevent any potential danger.
- Keep the appliance out of children's reach.
- Water or any liquid form, flammable substances, and ashes (hot ashes) should not be vacuumed up.
- To avoid any unwanted incidents, do not point the tube or any other parts of this vacuum at your eyes, ears, mouth, or any other part of your body. Especially when the vacuum cleaner is switched on.
- When the appliance is charging or being used, do not remove the battery case.

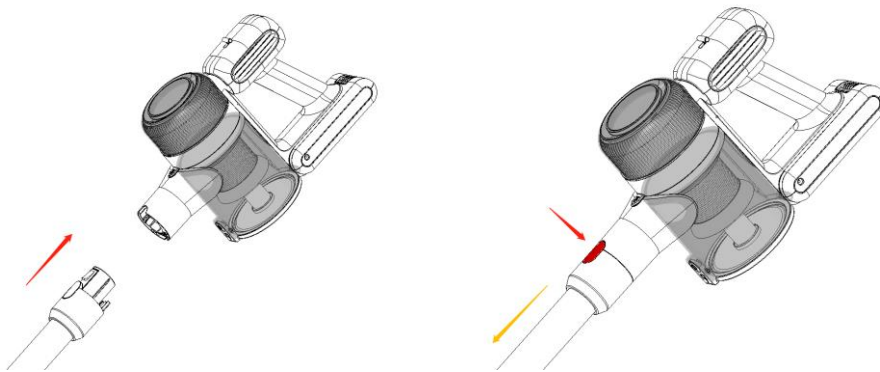
This device is appropriate for children aged 8 and above, as well as people with limited physical, sensory, and mental abilities. They can use the appliance as long as they have read the instructions on how to use the vacuum safely and are aware of the risks involved. This also applies to those who lack the necessary experience and knowledge to operate this device. Children should not use the appliance. Without adult supervision, children should not clean or maintain equipment.

PREPARING FOR USE

Assembling the metal tube

Insert the spray metal tube into the main inlet until you hear a click sound.

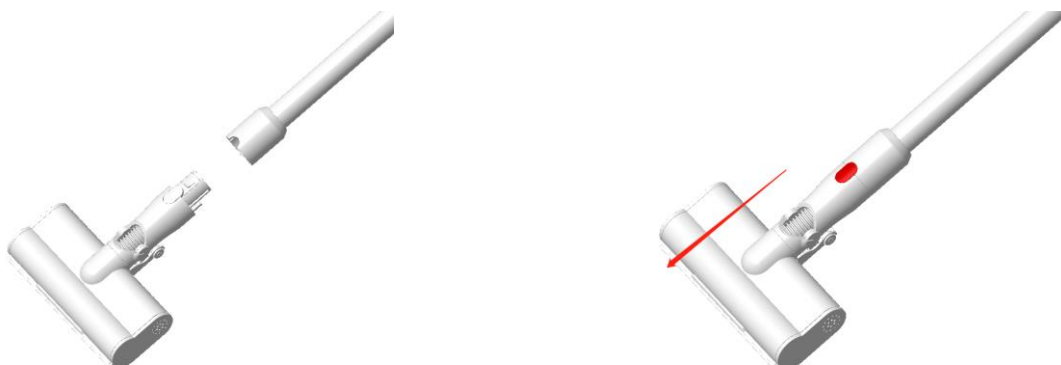
To remove the spray metal tube, hold the spray metal tube with one hand and press the release button with the other, then pull it outward.



Assembling and disassembling the brush

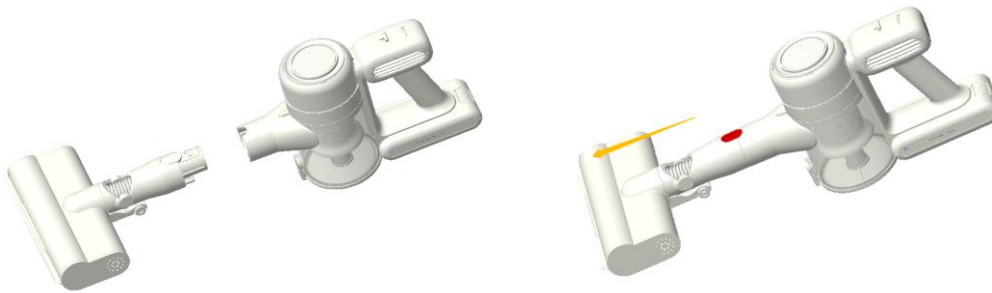
1. Push the lock pin of the electric floor brush to the spray metal tube inlet. Next, if you hear a click sound, it means that the electric floor brush and spray metal tube has been properly installed.

2. If you want to remove the electric floor brush, use one hand to press the release button on the electric floor brush and the other hand to hold the electric floor brush and pull it outwards.



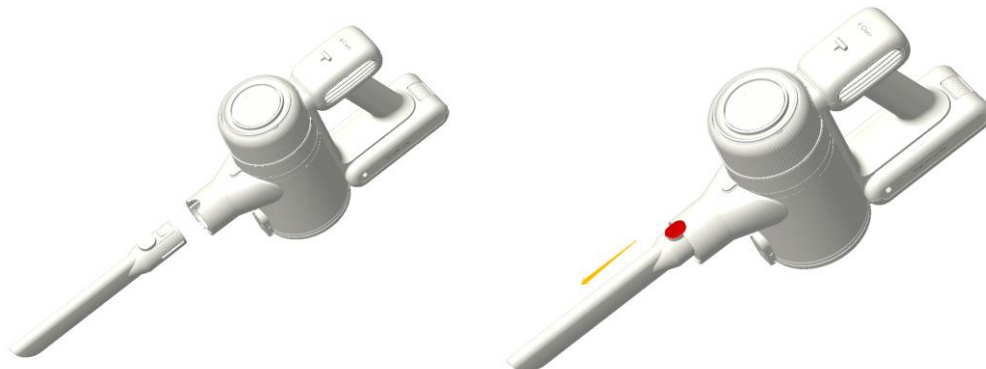
Electric floor brush and main unit connection

1. Press the lock pin of the electric floor brush into the inlet of the vacuum, ensuring that it is tight, and after hearing a click sound, the electric floor brush is installed.
2. To remove the electric floor brush, use one hand to push the lock pin of the electric floor brush to release the lock, and the other hand to hold the electric floor brush and pull outwards.



Accessories instructions

The 2 in 1 crevice nozzle is ideal for cleaning small rooms, gaps, or irregular surfaces such as corners, window cracks, keyboards, and so on.

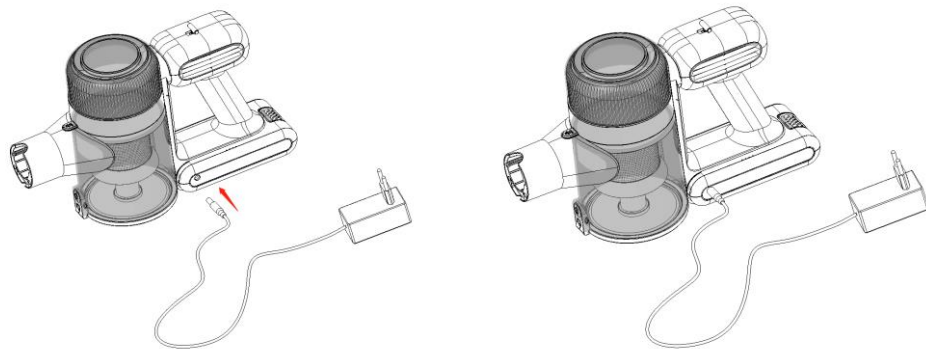


CHARGING

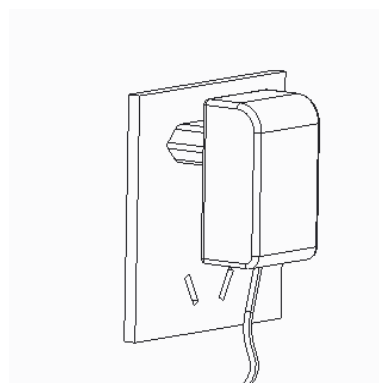
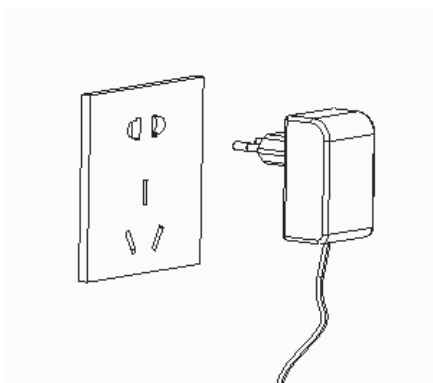
1. Please ensure that the power supply is secure, and that the local voltage matches the voltage indicated by the product.
2. The charger port is located at the back of the appliance. Insert the charge plug pin into the appliance's charge port, as shown in the image.
3. When the device is charging, the power indicator light flashes blue. When the five lights on the power indicator illuminate, the battery is fully charged.
4. When the appliance's battery is low, a red light will flash once every second. The 'low power light' indicator is represented by the red circle light. If this occurs, please charge the vacuum.

Please note the appliance will not function during charging.

1. Connect vacuum to the adaptor



2. Connect to the power outlet.



1. Power on the vacuum cleaner.
2. Push the gear button to downshift forward and upshift backward

① This is the switch button.



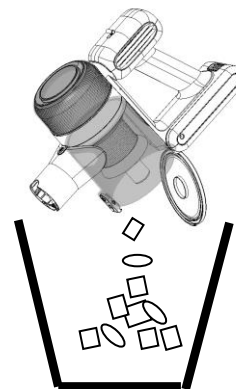
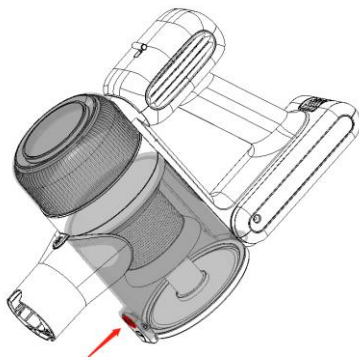
② This is the speed adjuster



CLEANING AND MAINTENANCE

When the dust cup is full, the dust cup, cyclone core, and dust collection system should be cleaned as soon as possible to ensure the best cleaning outcome.

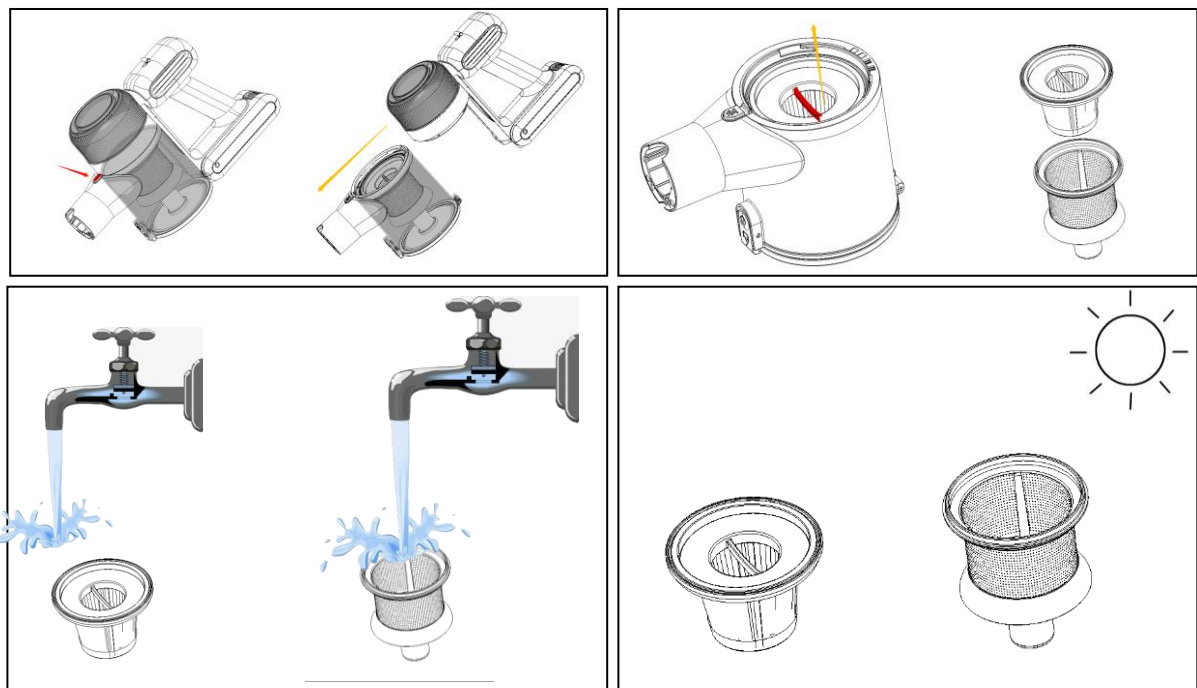
Turn off the appliance. Place the appliance on top of the garbage can. Pour the dirt out by pressing the dust cup release button.



Cleaning or Replacing the HEPA filter

After some time, the filters may become clogged, reducing suction power. The filter set must be cleaned or washed on a regular basis. To remove the dust cup, press the release button.

1. When you remove the HEPA, you will notice a sponge in the cyclone; please remove it as well.
2. Clean both HEPA & the sponge by using water.
3. Dry them thoroughly before using them again.



Clean the electric floor brush

The electric floor brush could be obstructed by a large object or roped around by hair or a long thread. It should be cleaned on a regular basis.

1. To remove the roller brush, follow the instructions on the floor brush.

2. After you've finished cleaning, place the rolling brush inside the electric floor brush. Check that the rolling brush is properly seated. After cleaning, replace the roller brush in the floor brush.



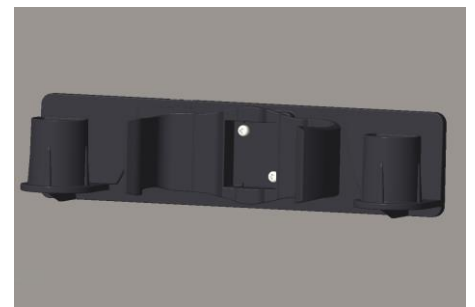
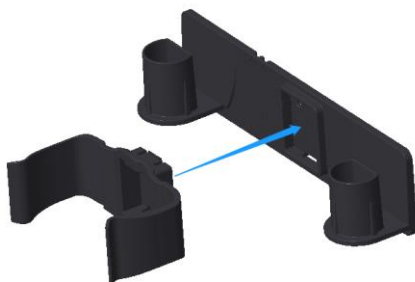
Cleaning

Always turn off and unplug the appliance before cleaning any parts.

Do not clean any parts of the vacuum cleaner in the dishwasher; instead, clean the parts with a moist cloth if necessary.

Storage function instructions

When not in use, the product can be hung on the wall with a bracket. The bracket is firmly attached to both sides of the battery pack. The bracket's fixed height can be used to stand on the ground.





Environment

When the appliance and battery have reached the end of their lifetime, do not dispose of them in the same manner as regular household waste.

Caution

Note: All the contents in this project are related to safety; please ensure that the user abides by them.

1. If you use non-original parts without permission from the manufacturer, your warranty will be voided.
2. Please check that the product is not damaged and that all of the parts are present after dismantling the packaging.
3. If the power cord becomes damaged, the manufacturer must replace it.

The maintenance department or a similar department. This is to avoid any potential danger.

4. Under the supervision of a guardian, children and incapacitated people may use this product.

5. If a fault occurs, unplug the power cord immediately, and do not use the defective product.

- To avoid deformation of plastic parts, do not place the vacuum cleaner too close to a heat source or other hot objects.
- When using the vacuum cleaner, please keep in mind that each filter element installed; do not use a vacuum cleaner in the absence of a filter member.
- Check the plug carefully; the power cord must be completely undamaged to prevent electric shock.
- Check that the power supply is secure and that the local voltage matches the voltage indicated by the product.
- Before disposing of the product, we recommend that you cut the power cord. It is also recommended that the product be disposed of without the presence of a child to avoid any unwanted incidents.
- This product is only available for use in the home. This product should not be used outside.

- To avoid danger, do not use the vacuum cleaner to suck lighted cigarette butts, detergent, kerosene, gasoline, paint, sewage, or other liquids into the motor, as this will cause the motor to fail.
- When using the vacuum cleaner, please avoid inhaling hair groups, large balls of paper, or other items that could become clogged by the suction port, suction pipe, hose, or other components, as this could result in motor failure or housing deformation. If inhaled and causing a blockage, please stop immediately and pull the plug out to clean.
- When cleaning the vacuum cleaner, use a wet rag with water or a neutral detergent; do not use gasoline, banana oil, or other harsh cleaners, as these will cause the shell to crack or fade.
- Please do not use the vacuum cleaner to suck the cement, gypsum powder, kalsomine, starch, and other tiny particles, as this will result in a vacuum cleaner filter clogging, motor burning out, and other defects. If small particles above are inhaled, please clean the filter immediately.
- When you receive the vacuum, please check to see if it is fully charged. If the battery is running low, please charge it before using it.

Please ensure that the first three charges are fully charged in order to complete the battery activation protection.

Russell Taylors

www.russelltaylors.co.uk