

**VACUUM
SERIES
INSTRUCTION
MANUAL**

E-WARRANTY



SCAN HERE

Russell Taylors



Safety Instructions

Warning : Basic safety precautions should always be observed when using an electrical appliance, including the following to reduce the risk of fire, electrical shock or injury.

- Store the vacuum in a dry place out of reach of children.
- The appliance is not intended for use by persons (including children) with reduced physical, sensory or mental capabilities, or lack of experience and knowledge, unless they have been given supervision or instruction concerning the use of this appliance by a person responsible to their safety.
- Children must be supervised to ensure that they do not play with the appliance.
- Use only the attachments provided in the packaging. Any misuse or use of any accessory or attachment that was not provided by Russell Taylors may present a risk of personal injury.
- Keep the appliance and accessories away from hot surfaces.
- Do not block the appliance openings or hinder air flow. Keep the openings free of any objects including dust, lint, clothing and fingers.

Electrical Safety

- Only use the battery and charger supplied in the original packaging, The appliance is only to be used with the power supply unit provided in the packaging.
- Do not modify the charger.
- The charger has been designed for a specific voltage. Always check the voltage is same as what is stated on the rating plate.
- Before using, check if the charger cord has any signs of damage.
- Do not abuse the charger cord.
- Do not wrap the cord around the charger when storing.
- Keep the charger cord away from hot surfaces and sharp edges.

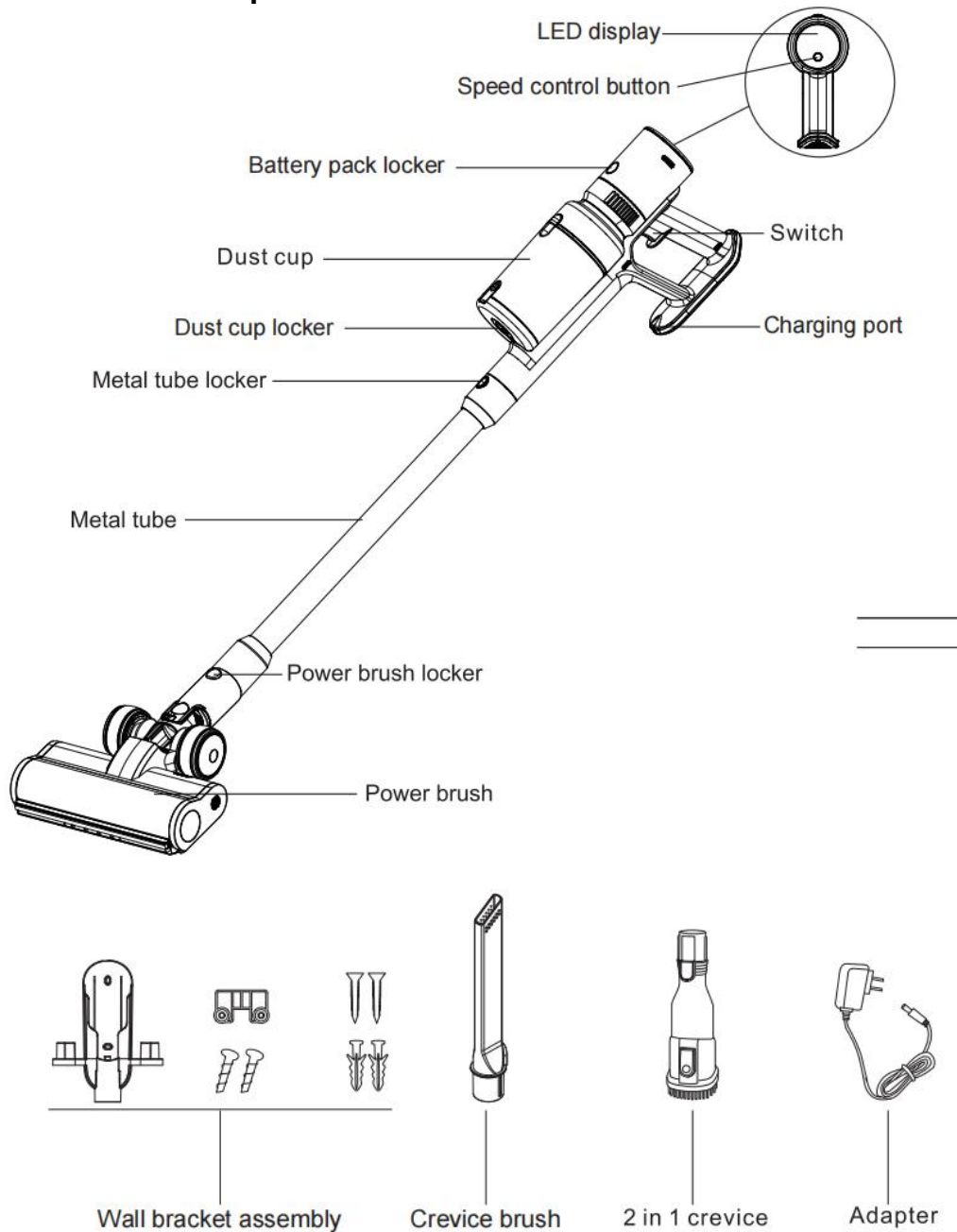
Battery Safety

- This appliance includes Liion batteries. Do not expose it to high temperature or it may explode.
- Lithium-ion batteries perform best when they are kept at a moderate state of charge and are not allowed to discharge (Battery level reaches 0%). To increase the lifespan of the battery pack, do not allow the battery to reach 0% and recharge the battery regularly.
- The batteries are not replaceable. If you have a defective battery pack, please contact the Russell Taylors service team at support@russelltaylors.com.

Product Warranty

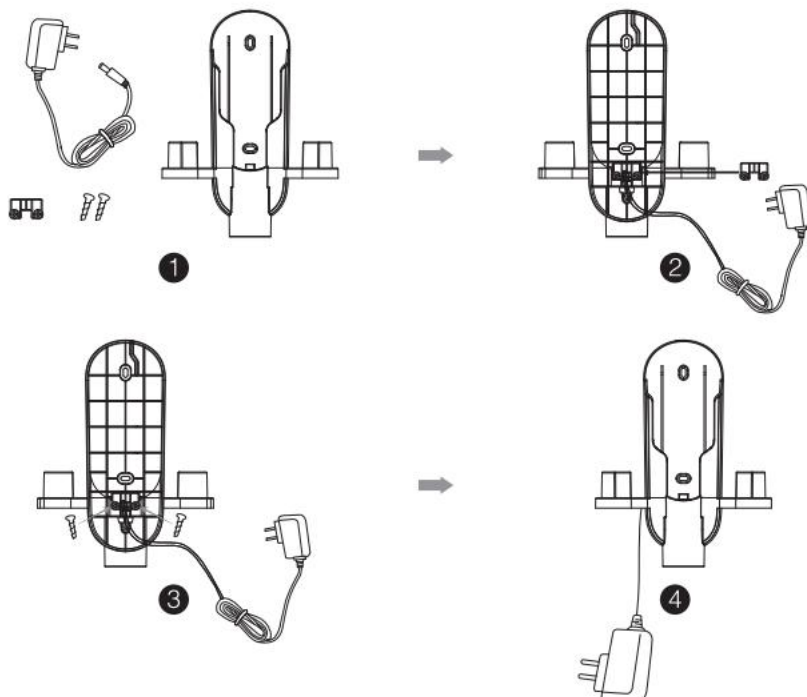
- This appliance has been designed for domestic dry vacuum cleaning only. Any evidence of commercial use will result in void of warranty.
- The vacuum cleaner is backed by a 2-year manufacturing warranty (The battery pack is covered by a 6 month warranty).

Introduction of components

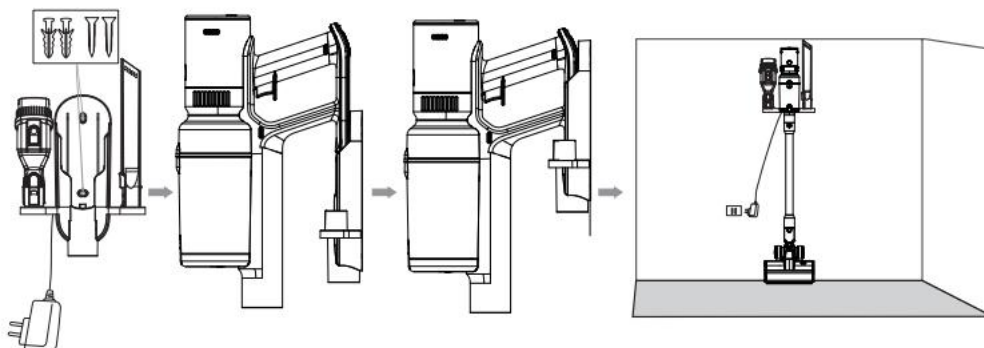


Storage & Charging

1. Fix the adapter to the wall bracket as per the instructions below :

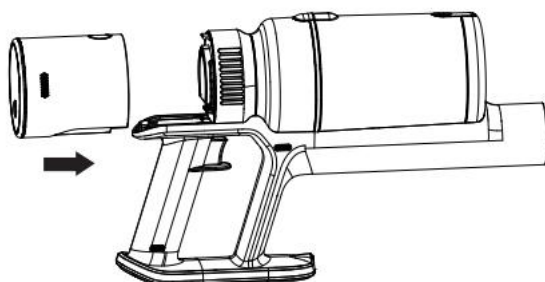


2. Fix the bracket on the wall with the expansion screws provided to hang the vacuum cleaner and storage accessories.

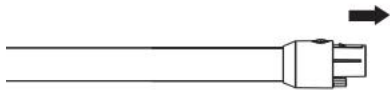


How to use as a stick vacuum cleaner

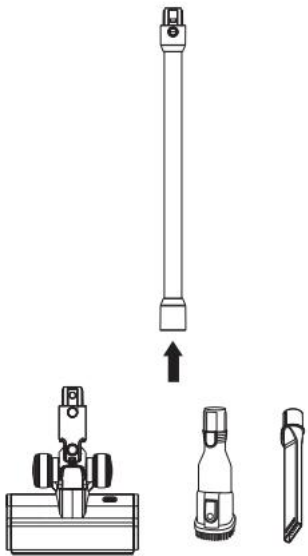
1. Assemble the battery pack to the mainbody until there is a click sound.



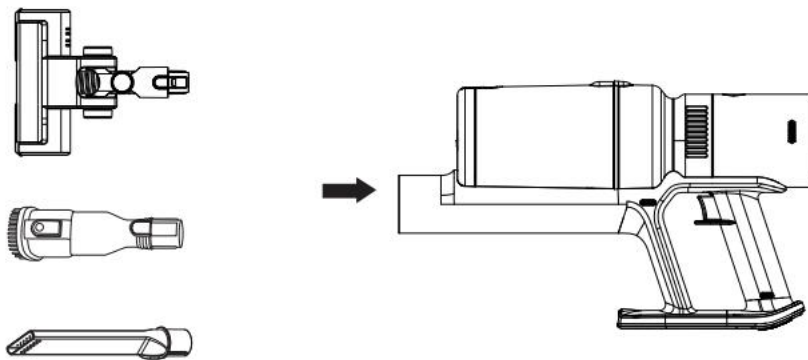
2. Attach the metal tube to the body until the hear the click sound.



3. Attach the brush required to the metal tube as below

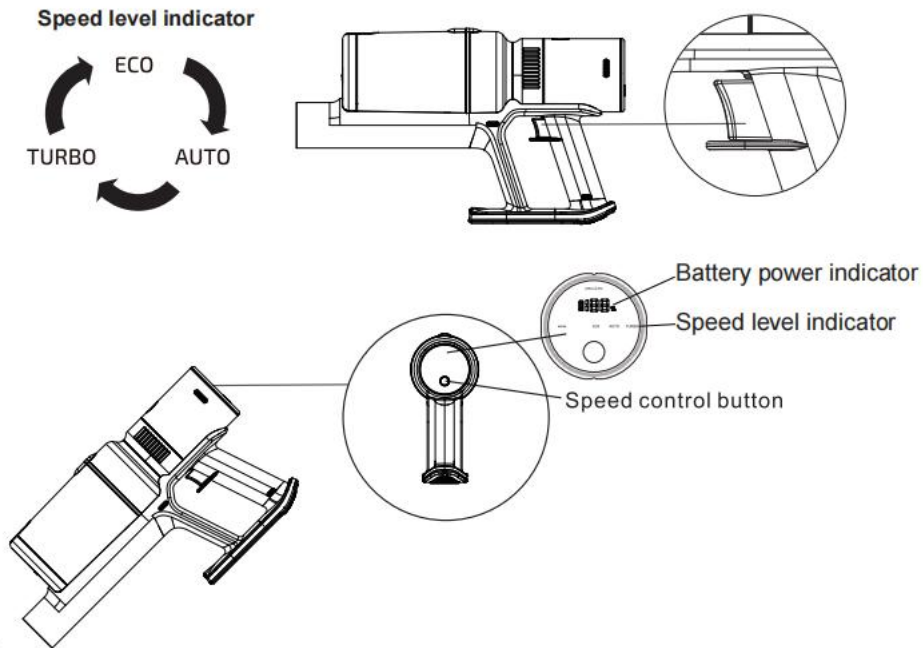


Using as a handheld vacuum cleaner

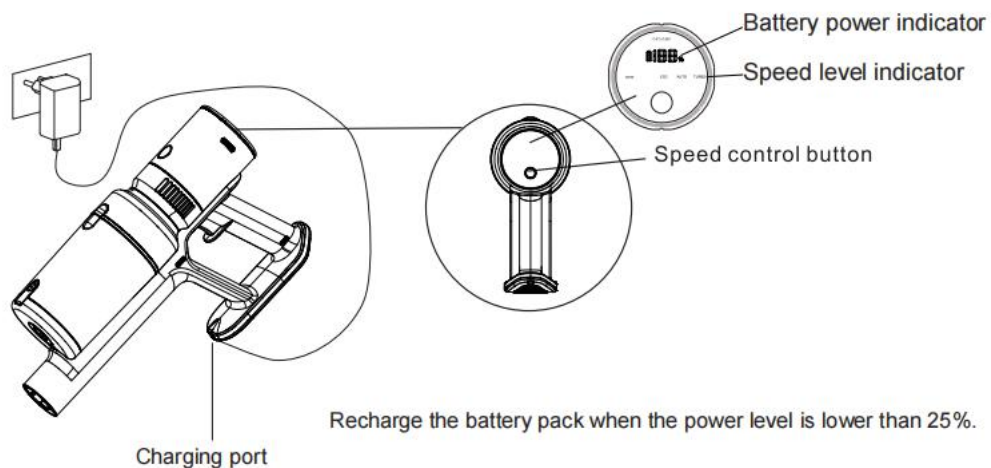


Speed Control

- There are three different speed controls :
 - Eco : Eco mode is turned on when you switch on the vacuum each time by default.
 - Auto : Auto mode is turned on when you press the speed control button once. The speed adjusts itself based on the amount of dirt being collected.
 - Turbo : Turbo mode is turned on when you press the speed control button twice. This is the highest setting available. Pressing the speed control button once more will return it back into Eco mode.

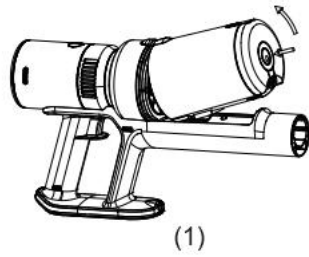


Charging the battery



How to empty the dust cup

Unlock the dust cup locker

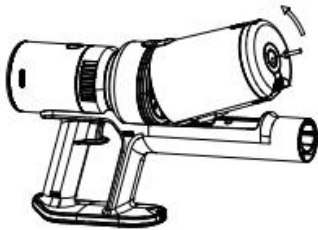


Empty the dust cup.



How to maintain the filter

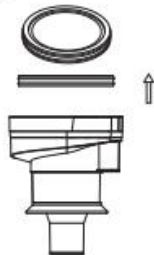
1. Press the release button to remove the dust cup from mainbody.



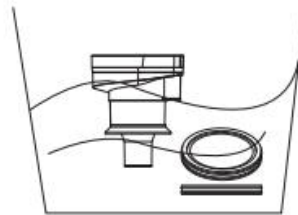
2. Take out the filter case from dust cup.



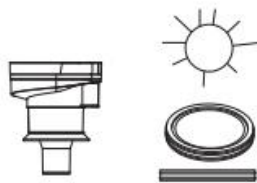
3. Take out the sponge and MIF filter from the case.



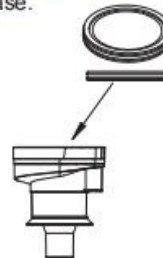
4. Wash the case, sponge and MIF filter.



5. Drying case, sponge and MIF filter.



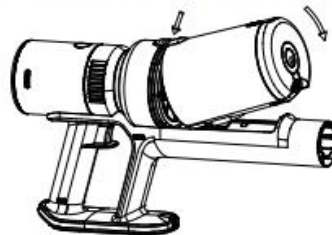
6. Assemble the sponge and MIF filter to the case.



7. Put the filter case back to the dust cup



8. Assemble the dust cup to the mainbody.



Troubleshooting

Error Code	Problem	Solution
E1	Voltage of the charger is not suitable.	Use only the charger supplied by Russell Taylors.
E2	Roller brush is blocked.	Check that no foreign objects (Hairs, rubbish, etc) is preventing the brush from rotating.
E3	Motor is overheated	Check that the filters are cleaned and let the machine rest for 5 minutes.
E4	Overheated Battery	Let the vacuum rest for 5 minutes.
E5	Overheated brush motor	Let the vacuum rest for 5 minutes.
E9	Overcharged Battery	The battery charging time has exceeded. Unplug the vacuum from the power supply.
CF	Clean Filter Reminder	Clean the filter after every use.

Russell Taylors